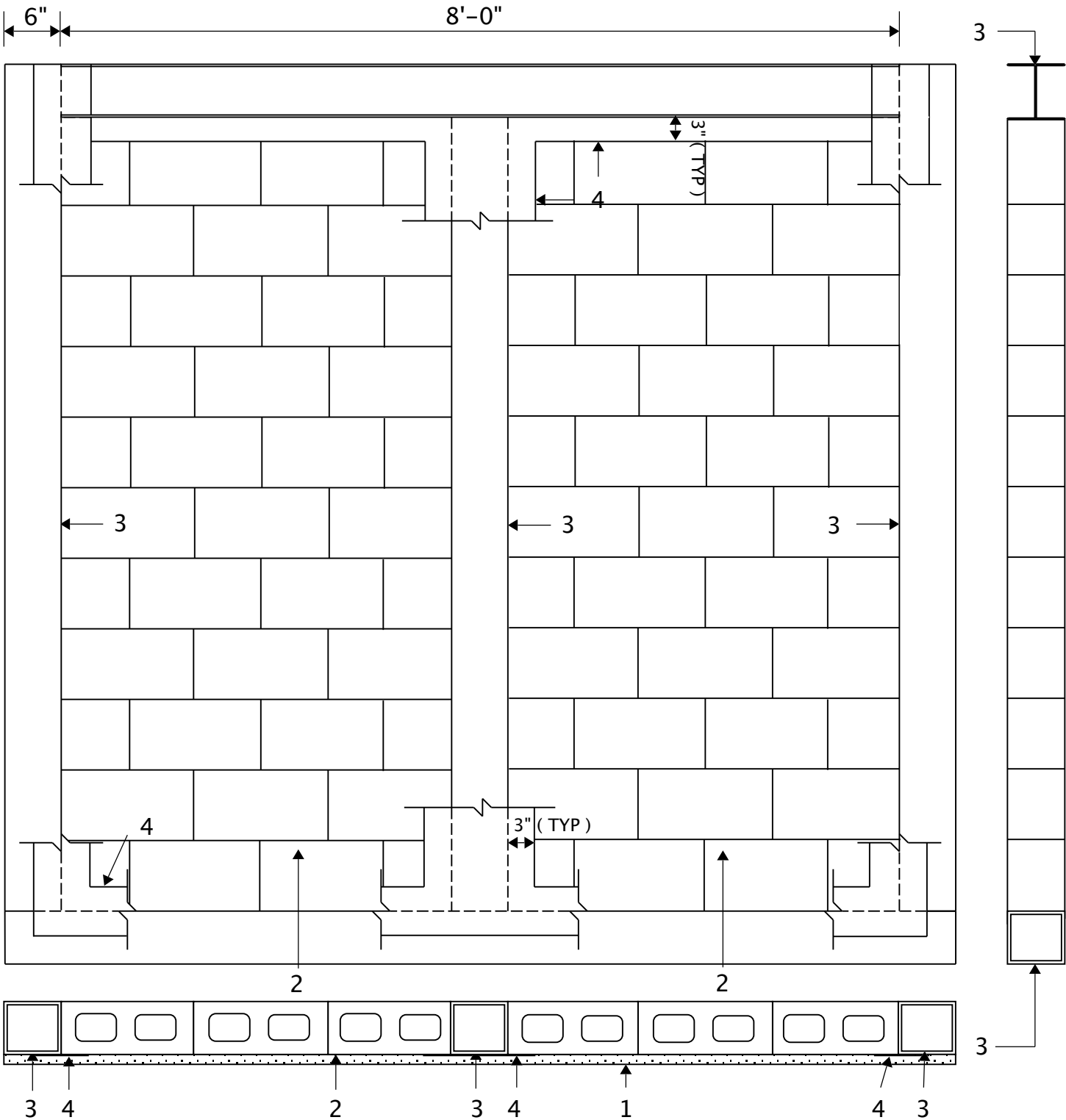


SPECIMEN NO. 1 ( OPAQUE WALL DRAWINGS )

- 1 CERTASPRAY ( THICKNESS 1" )
- 2 CONCRETE MASONRY UNITS
- 3 STEEL STRUCTURE
- 4 SELF-ADHERING AIR BARRIER MEMBRANE W/ PRIMER

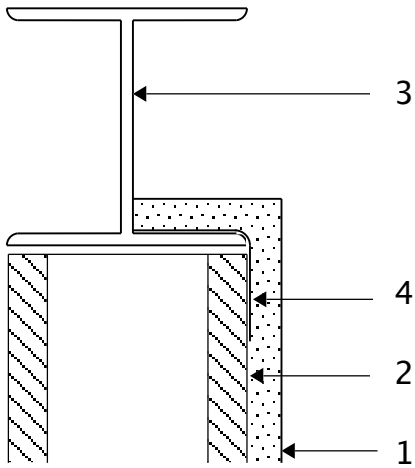


**CERTAINTED CORPORATION INSULATION GROUP**

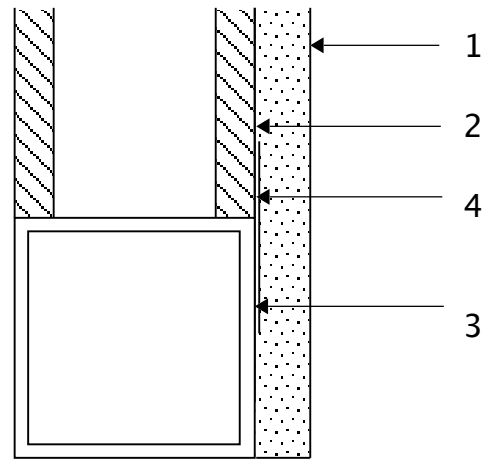
SPECIMEN NO. 1 ( OPAQUE WALL DRAWINGS )

COMPOSITION

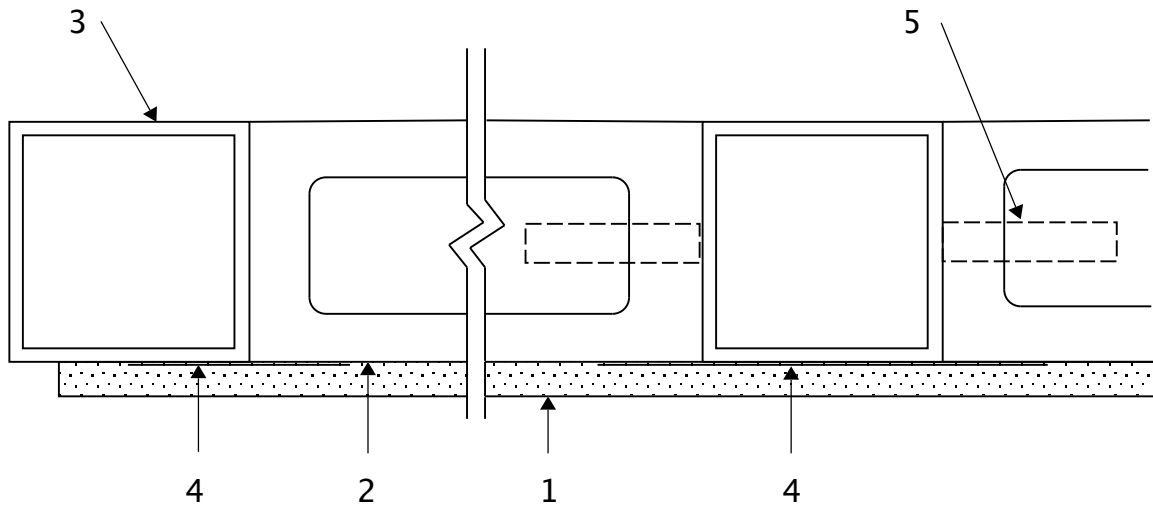
- 1 CERTASPRAY ( THICKNESS 1" )
- 2 CONCRETE MASONRY UNITS
- 3 STEEL STRUCTURE
- 4 SELF-ADHESIVE AIR BARRIER MEMBRANE W/ PRIMER
- 5 STRUCTURAL TIE 24" O.C. ( TYPICAL )



WALL UPPER SECTION



WALL LOWER SECTION

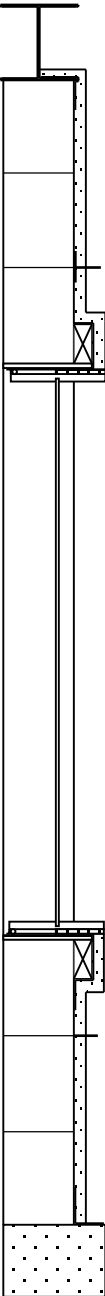
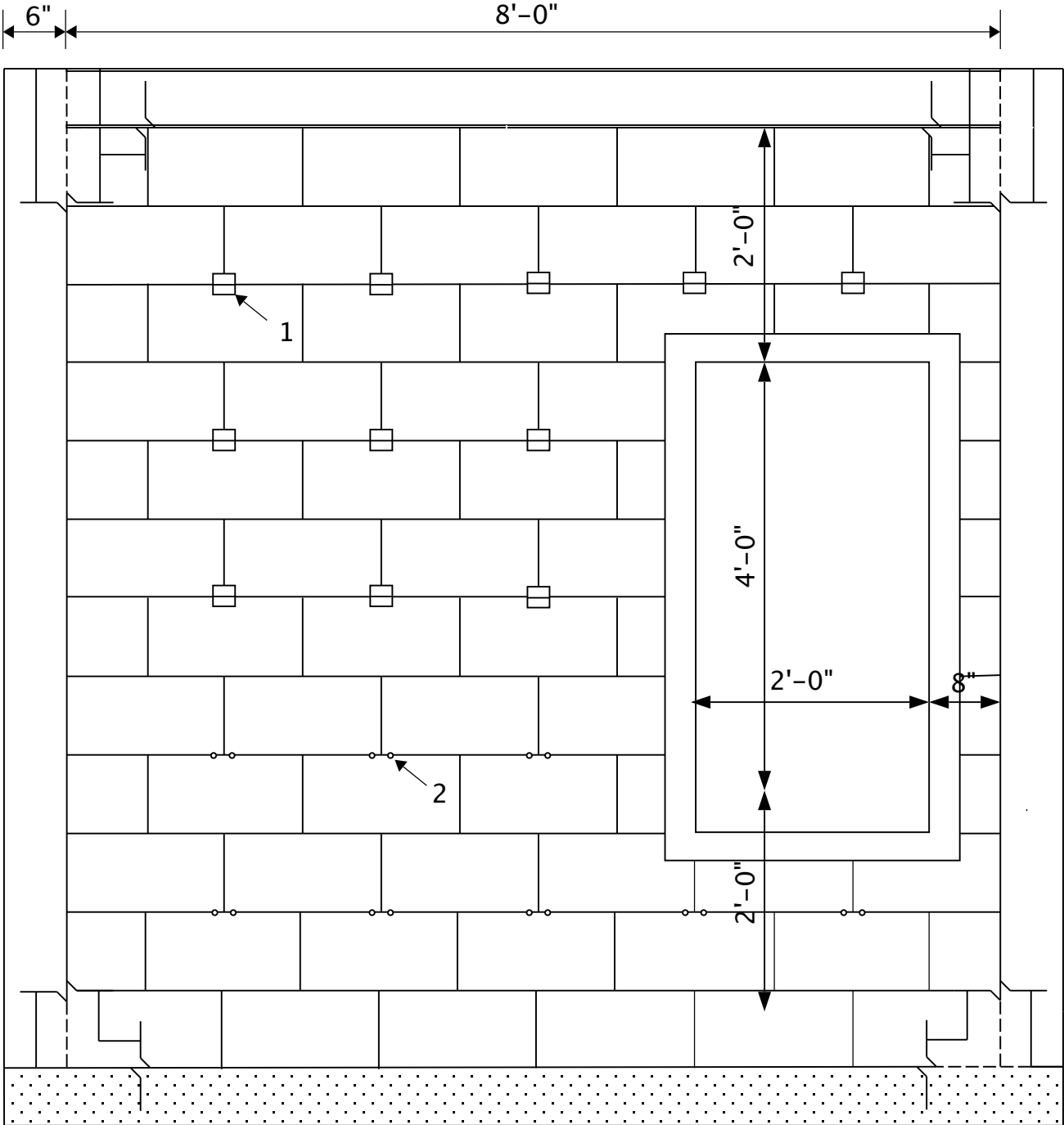


PLAN VIEW OF WALL

SPECIMEN NO. 2 ( WALL WITH PENETRATIONS )

- 1 BLOK-LOK BL-407 SURFACE MOUNTED BRICK VENEER ANCHOR ( OR EQUAL )
- 2 DUR-O-WALL DUR-O-EYE HORIZONTAL JOINT REINFORCIING WITH INTEGRAL WIRE TIES ( OR EQUAL )

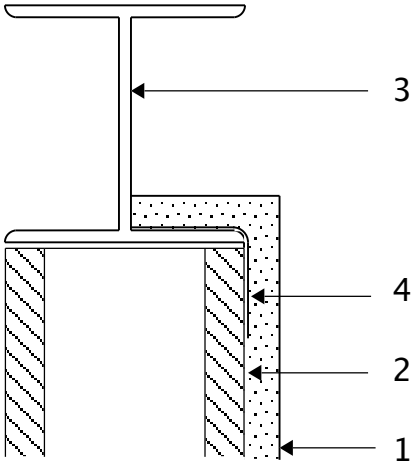
NOTE: NO TRANSITION MEMBRANE AT THE PERIMETER OF PROJECTED TIES OF WALL SAMPLE



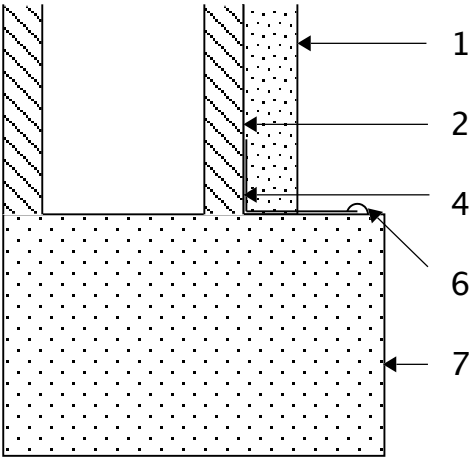
**SPECIMEN NO. 2 ( WALL WITH PENETRATIONS )**

**COMPOSITION**

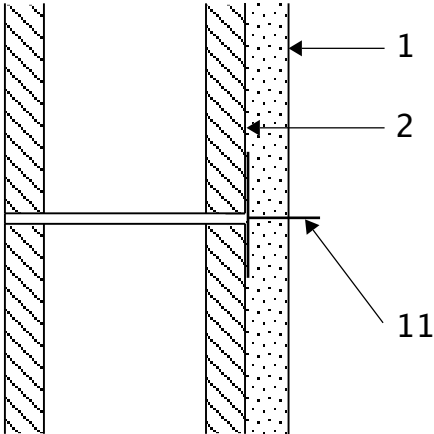
- |   |                                  |    |                           |
|---|----------------------------------|----|---------------------------|
| 1 | CERTASPRAY ( THICKNESS 1" )      | 7  | CONCRETE FOOTING 8" X 10" |
| 2 | CONCRETE MASONRY UNITS           | 8  | FOAM SEAL GASKET          |
| 3 | STEEL STRUCTURE                  | 9  | CAULKING                  |
| 4 | SELF-ADHESIVE MEMBRANE W/ PRIMER | 10 | URETHANE FOAM SEALANT     |
| 5 | SIMULATED WINDOW ASSEMBLY        | 11 | MASONRY VENEER ANCHOR     |
| 6 | POLYMER BASED CAULKING STRIP     |    |                           |



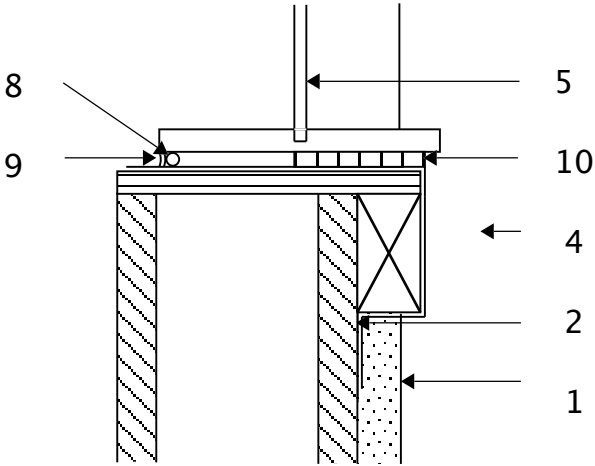
**WALL UPPER SECTION**



**WALL LOWER SECTION**



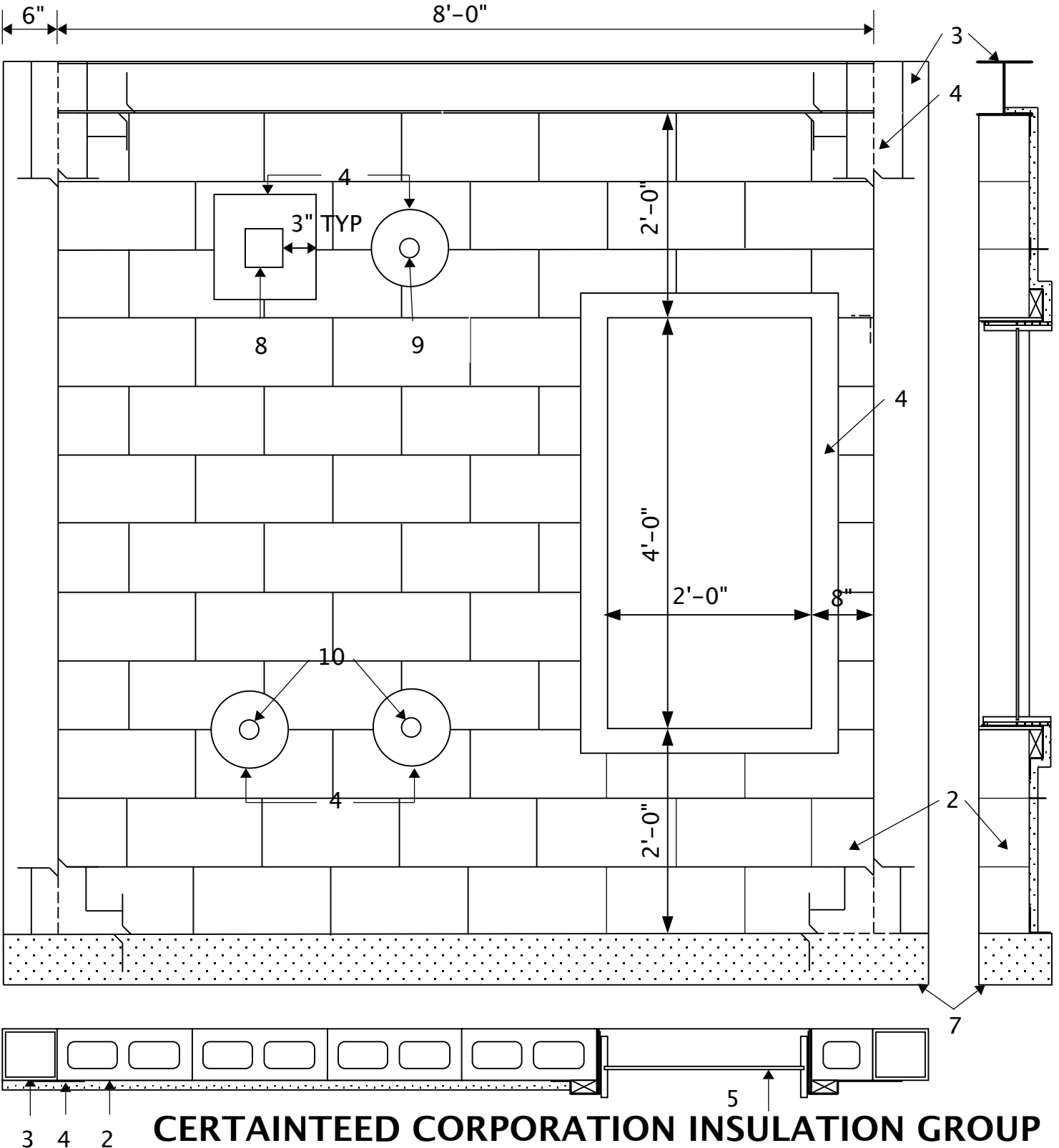
**WALL SECTION**



**OPENING LOWER SECTION**

SPECIMEN NO. 3 ( WALL WITH PENETRATIONS )

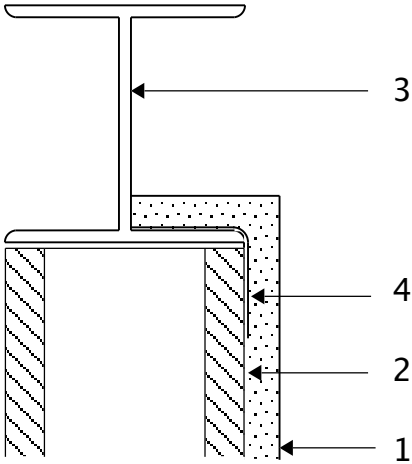
- |   |                                  |    |                                      |
|---|----------------------------------|----|--------------------------------------|
| 1 | CERTASPRAY ( THICKNESS 1" )      | 6  | STRUCTURAL TIE 24" O.C. ( TYP )      |
| 2 | CONCRETE MASONRY UNITS           | 7  | CONCRETE FOOTING 8" X 10"            |
| 3 | STEEL STRUCTURE                  | 8  | GALVANIZED STEEL DUCT 4" X 4"        |
| 4 | SELF-ADHESIVE MEMBRANE W/ PRIMER | 9  | PVC PIPE 2" DIAM                     |
| 5 | SIMULATED WINDOW ASSEMBLY        | 10 | ELECTRICAL STEEL CONDUIT 1-1/2" DIAM |



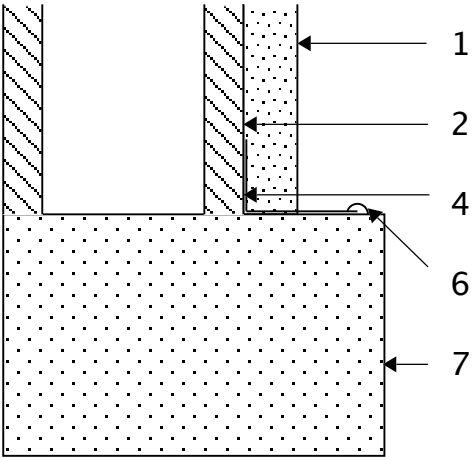
**SPECIMEN NO. 3 ( WALL WITH PENETRATIONS )**

**COMPOSITION**

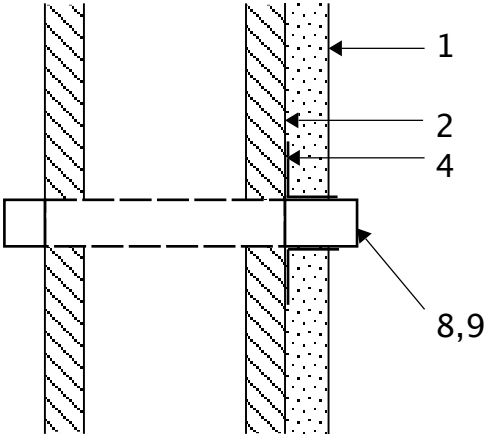
- |   |                                  |    |                               |
|---|----------------------------------|----|-------------------------------|
| 1 | CERTASPRAY ( THICKNESS 1" )      | 7  | CONCRETE FOOTING 8" X 10"     |
| 2 | CONCRETE MASONRY UNITS           | 8  | GALVANIZED STEEL DUCT 4" X 4" |
| 3 | STEEL STRUCTURE                  | 9  | STEEL PIPE 1-1/2" DIAM        |
| 4 | SELF-ADHESIVE MEMBRANE W/ PRIMER | 10 | FOAM SEAL GASKET              |
| 5 | SIMULATED WINDOW ASSEMBLY        | 11 | CAULKING                      |
| 6 | POLYMER BASED CAULKING STRIP     | 12 | URETHANE FOAM SEALANT         |



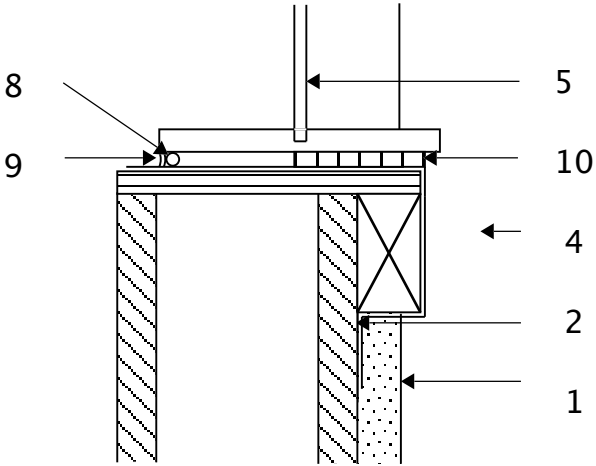
**WALL UPPER SECTION**



**WALL LOWER SECTION**



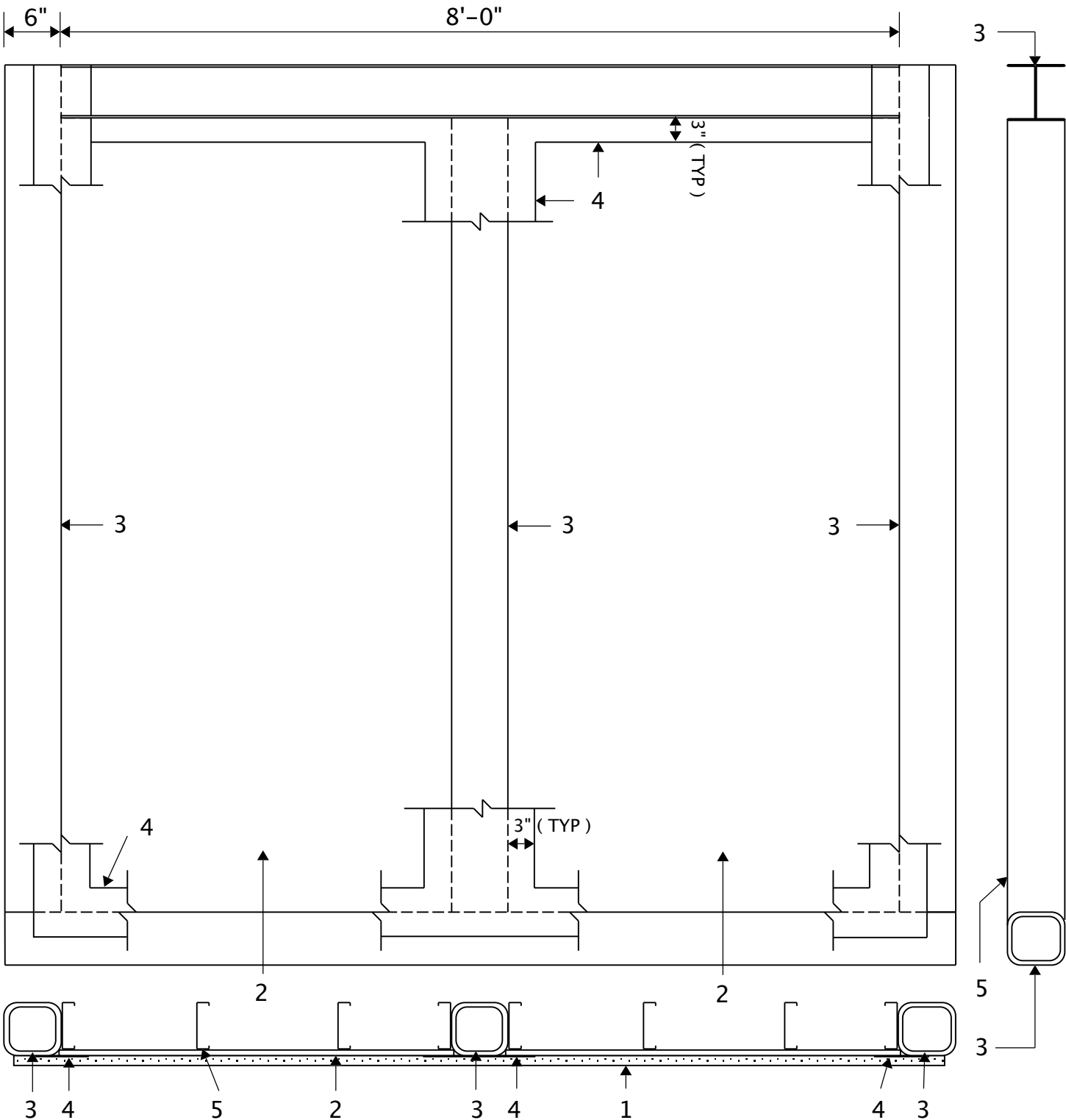
**WALL SECTION**



**OPENING LOWER SECTION**

SPECIMEN NO. 1 ( OPAQUE WALL DRAWINGS )

- 1 CERTASPRAY ( THICKNESS 1" )
- 2 EXTERIOR GYPSUM BOARD
- 3 STEEL STRUCTURE
- 4 SELF-ADHESIVE AIR BARRIER MEMBRANE W/ PRIMER
- 5 20 GA. STEEL STUD

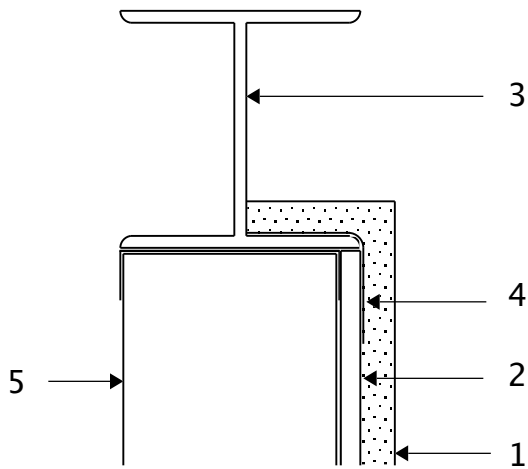


**CERTAINTED CORPORATION INSULATION GROUP**

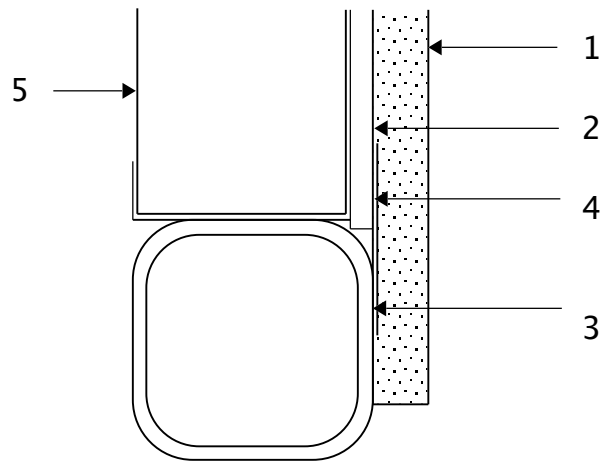
SPECIMEN NO. 1 ( OPAQUE WALL DRAWINGS )

COMPOSITION

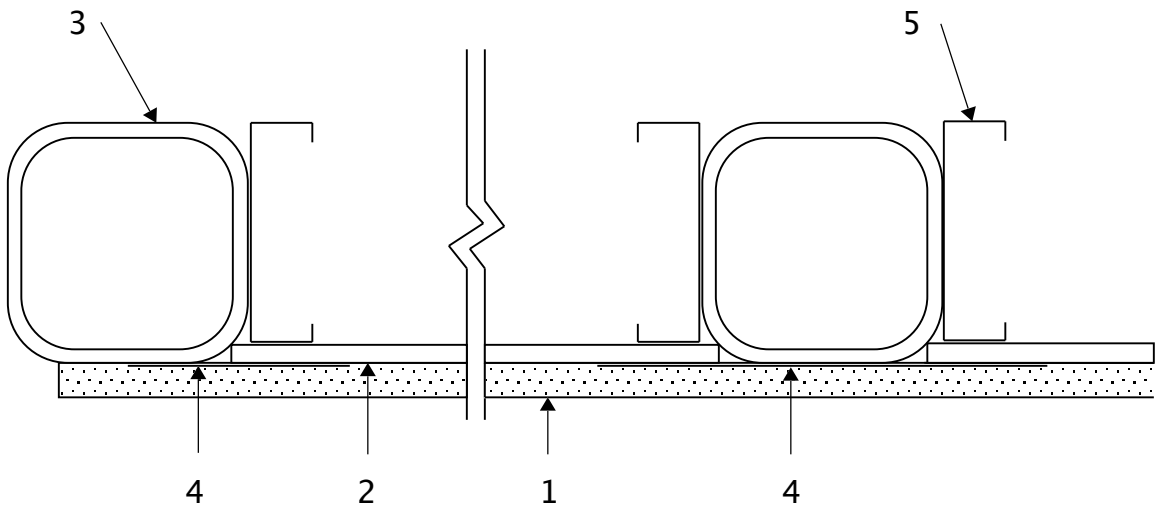
- 1 CERTASPRAY ( THICKNESS 1" )
- 2 EXTERIOR GYPSUM BOARD
- 3 STEEL STRUCTURE
- 4 SELF-ADHESIVE AIR BARRIER MEMBRANE W/ PRIMER
- 5 20 GA STEEL STUD



WALL UPPER SECTION



WALL LOWER SECTION

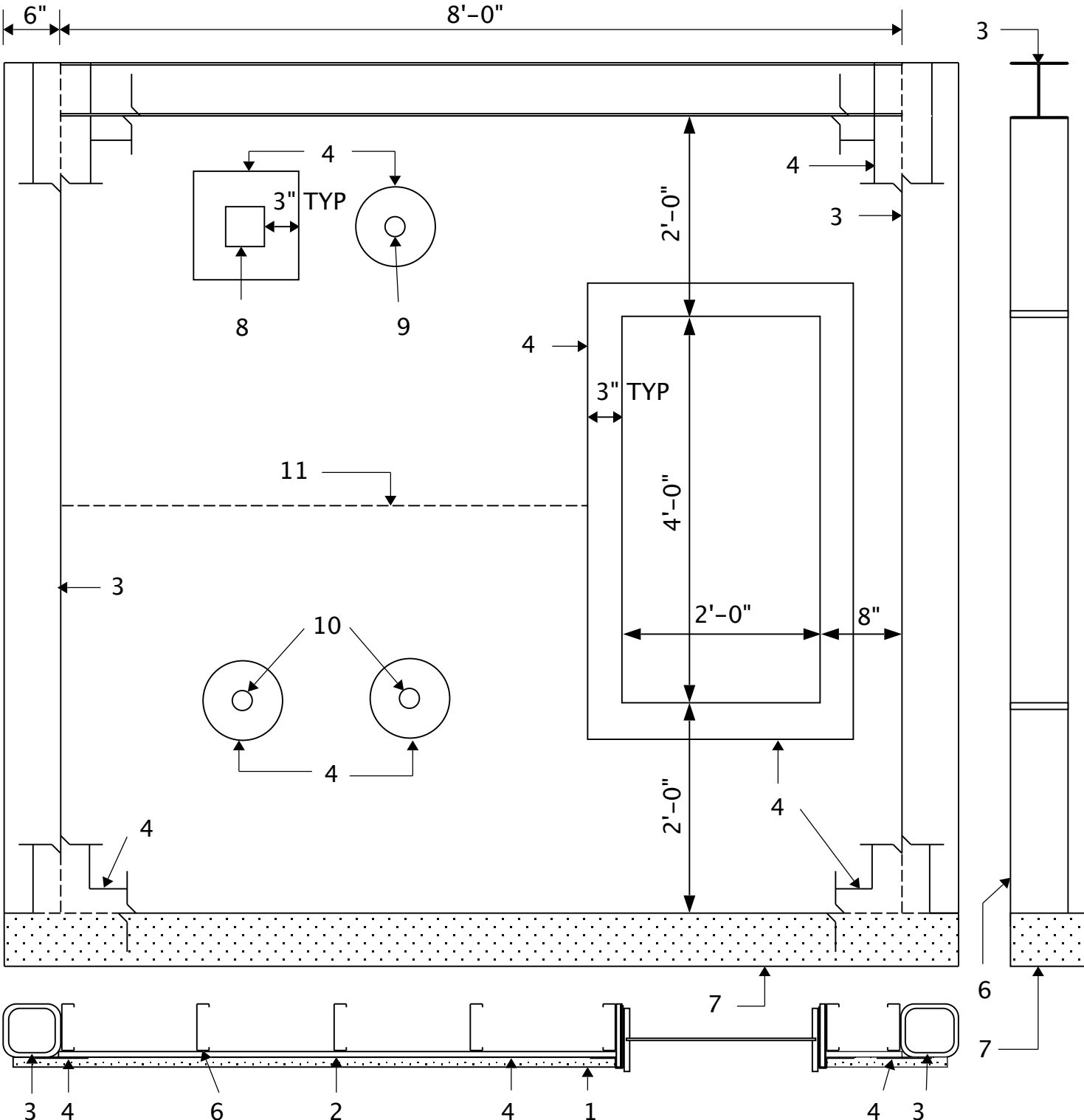


PLAN VIEW OF WALL



SPECIMEN NO. 2 ( WALL WITH PENETRATIONS )

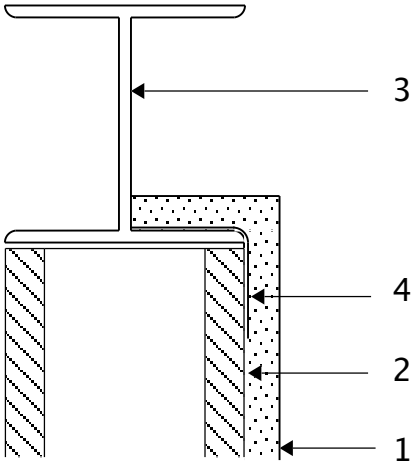
- |   |                                  |    |                                 |
|---|----------------------------------|----|---------------------------------|
| 1 | CERTASPRAY ( THICKNESS 1" )      | 6  | 20 GA. STEEL STUD               |
| 2 | EXTERIOR GYPSUM BOARD            | 7  | CONCRETE FOOTING 8" X 10"       |
| 3 | STEEL STRUCTURE                  | 8  | GALVANIZED STEEL DUCT 4" X 4"   |
| 4 | SELF-ADHESIVE MEMBRANE W/ PRIMER | 9  | PVC PIPE 1-1/2" DIAM.           |
| 5 | SIMULATED WINDOW ASSEMBLY        | 10 | ELECTRICAL CONDUIT 1-1/2" DIAM. |
|   |                                  | 11 | GYPSUM BOARD PANEL JOINT        |



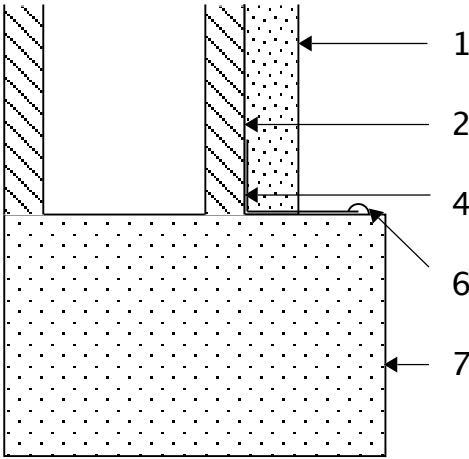
SPECIMEN NO. 2 ( WALL WITH PENETRATIONS )

COMPOSITION

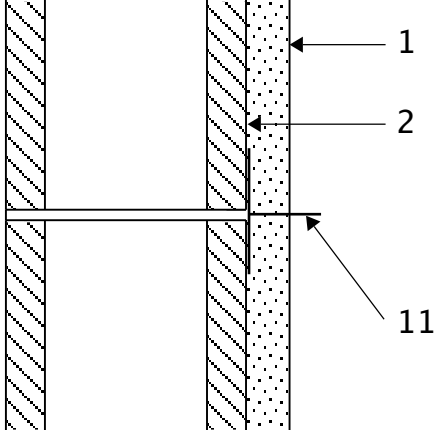
- |   |                                  |    |                           |
|---|----------------------------------|----|---------------------------|
| 1 | CERTASPRAY ( THICKNESS 1" )      | 7  | CONCRETE FOOTING 8" X 10" |
| 2 | CONCRETE MASONRY UNITS           | 8  | FOAM SEAL GASKET          |
| 3 | STEEL STRUCTURE                  | 9  | CAULKING                  |
| 4 | SELF-ADHESIVE MEMBRANE W/ PRIMER | 10 | URETHANE FOAM SEALANT     |
| 5 | SIMULATED WINDOW ASSEMBLY        | 11 | MASONRY VENEER ANCHOR     |
| 6 | POLYMER BASED CAULKING STRIP     |    |                           |



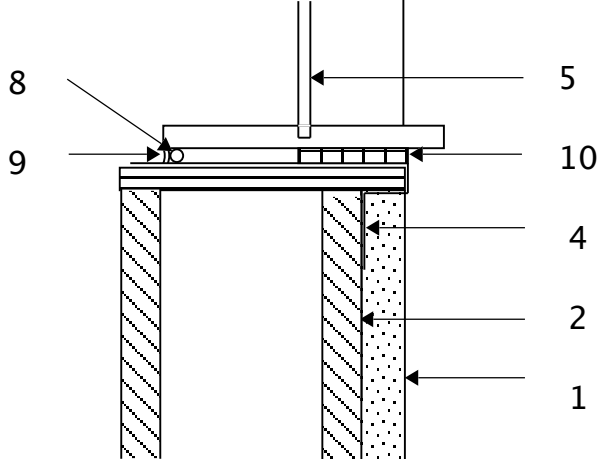
WALL UPPER SECTION



WALL LOWER SECTION



WALL SECTION

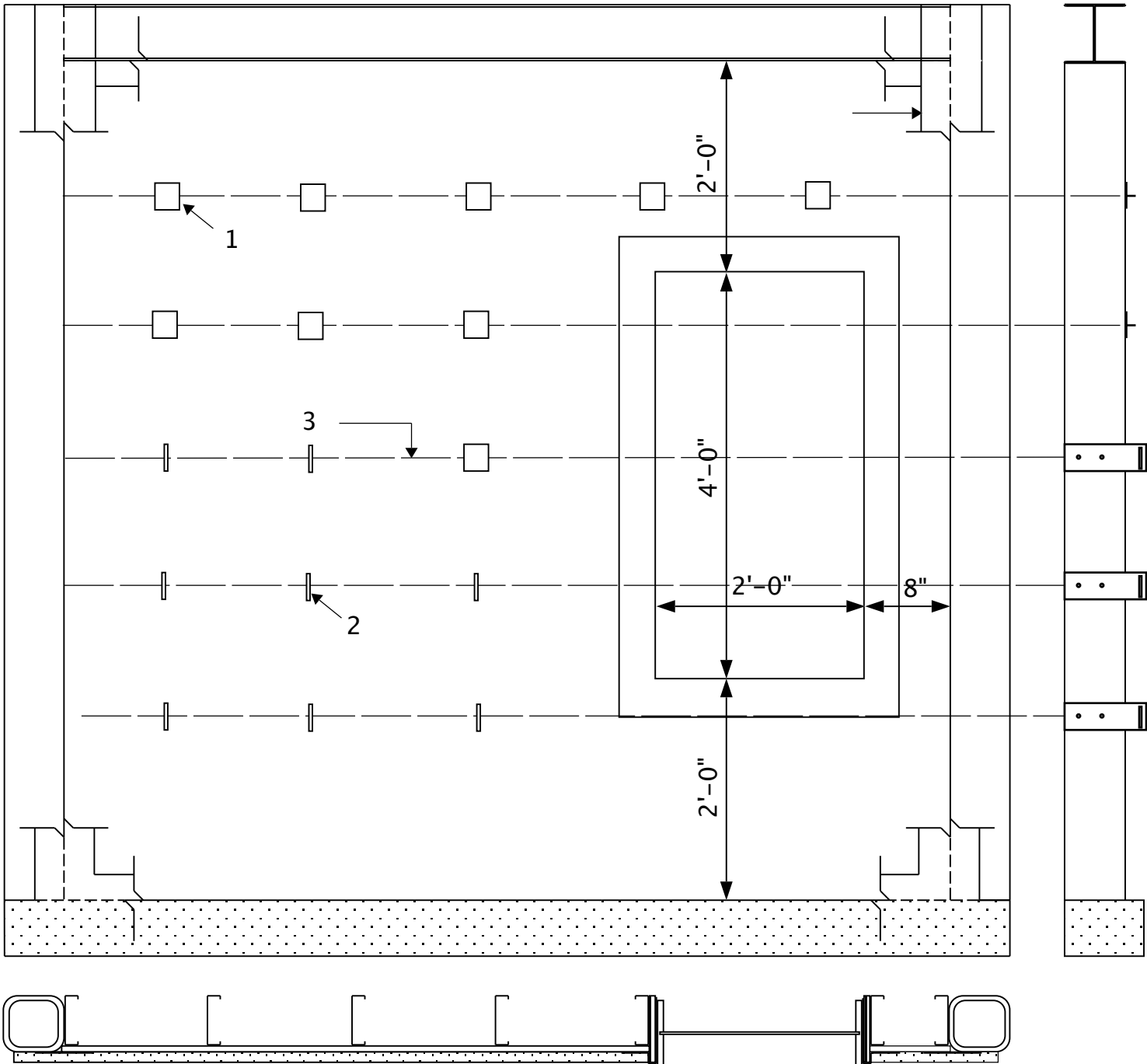


OPENING LOWER SECTION

SPECIMEN NO. 3 ( WALL WITH PENETRATIONS )

- 1 BLOK-LOK BL-407 SURFACE MOUNTED BRICK VENEER ANCHOR ( OR EQUAL )
- 2 BLOK-LOK BL-607 SIDE MOUNTED BRICK VENEER ANCHOR ( OR EQUAL )
- 3 GYPSUM BOARD PANEL JOINT

NOTE: NO TRANSITION MEMBRANE AT THE PERIMETER OF THE PROJECTED BRICK VENEER ANCHORS OF WALL SAMPLE.

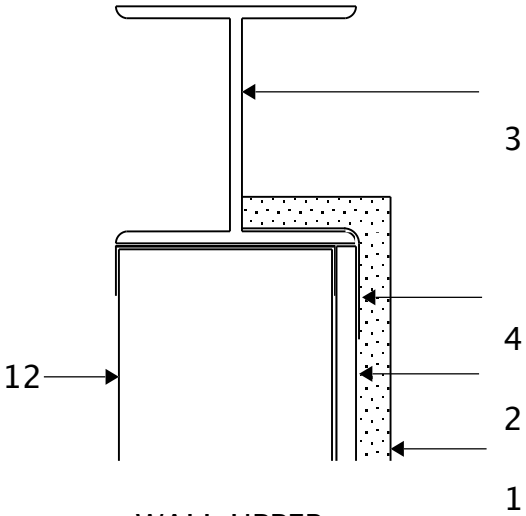


**SPECIMEN NO. 3 ( WALL WITH PENETRATIONS )**

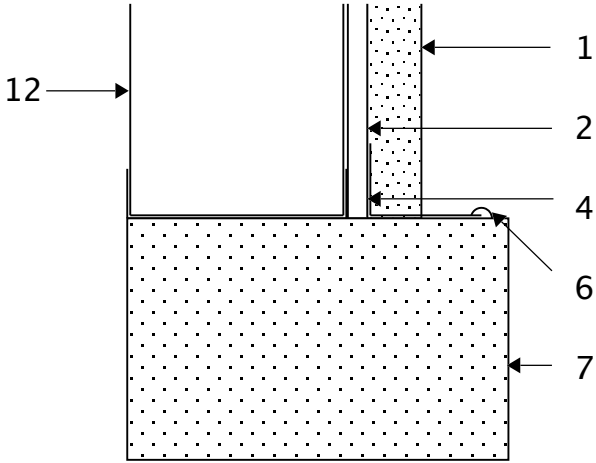
**COMPOSITION**

- 1 CERTASPRAY ( THICKNESS 1" )
- 2 EXTERIOR GYPSUM BOARD
- 3 STEEL STRUCTURE
- 4 SELF-ADHESIVE MEMBRANE W/ PRIMER
- 5 SIMULATED WINDOW OPENING
- 6 POLYMER BASED CAULKING STRIP

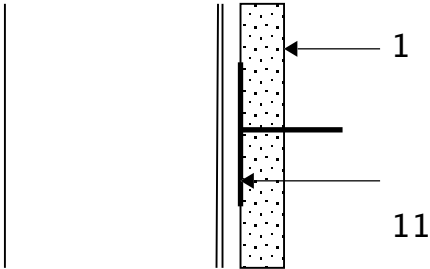
- 7 CONCRETE FOOTING 8" X 10"
- 8 FOAM SEAL GASKET
- 9 CAULKING
- 10 URETHANE FOAM SEALANT
- 11 BRICK VENEER ANCHOR
- 12 20 GA. STEEL STUD



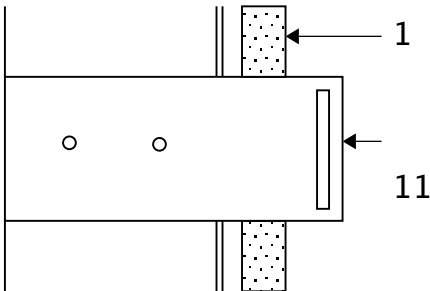
**WALL UPPER SECTION**



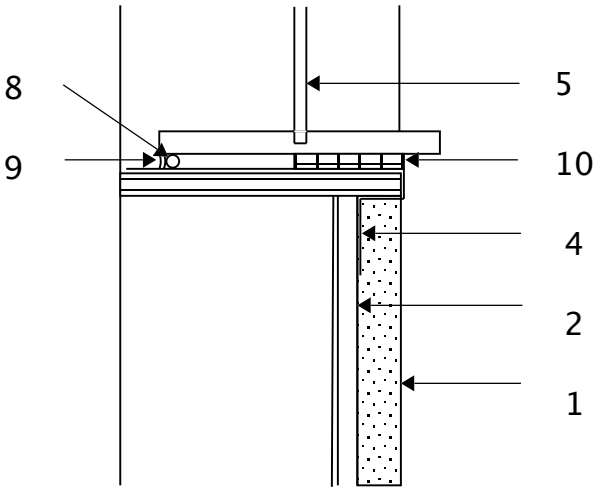
**WALL LOWER SECTION**



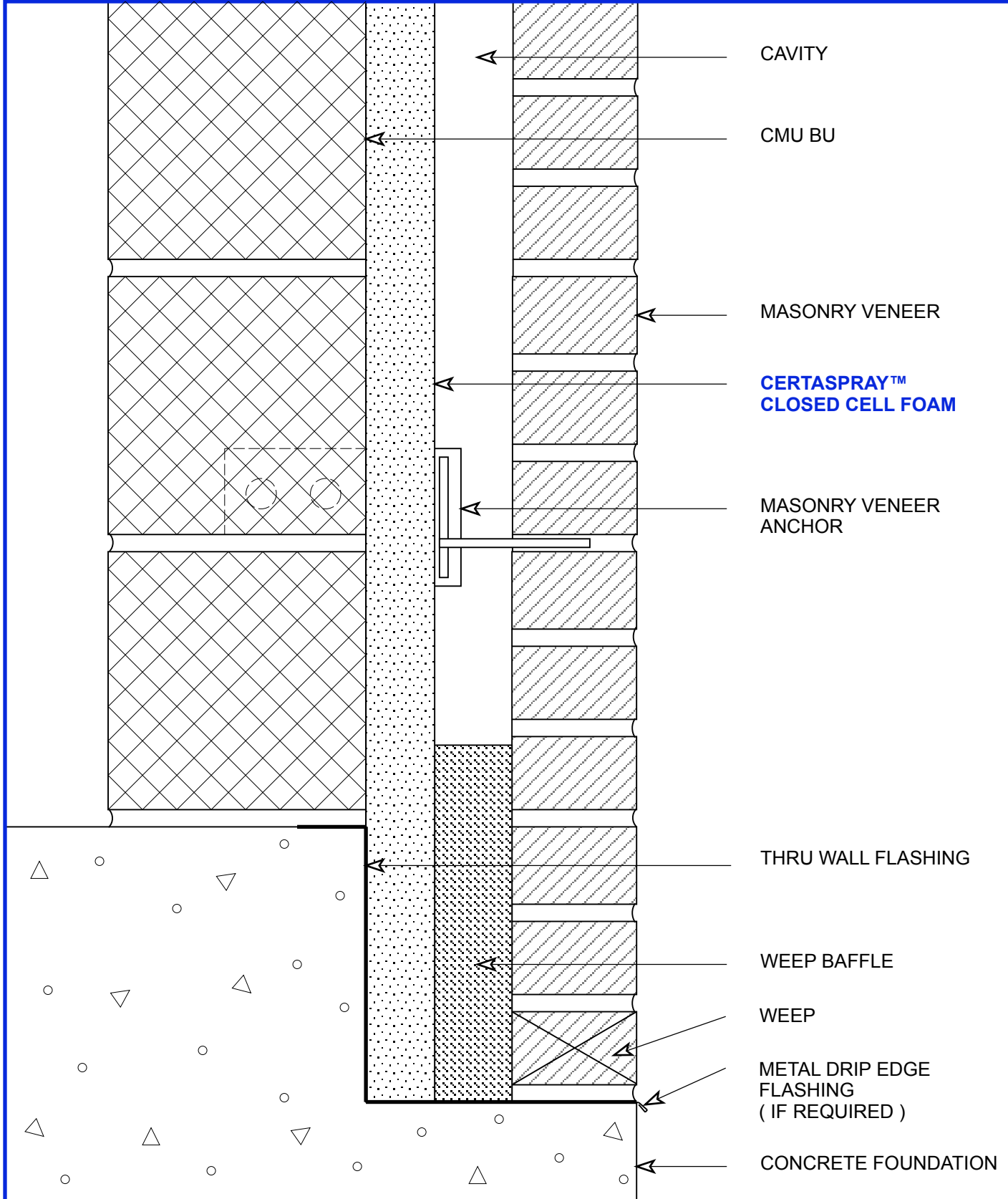
**WALL SECTION**



**WALL SECTION**



**OPENING LOWER SECTION**

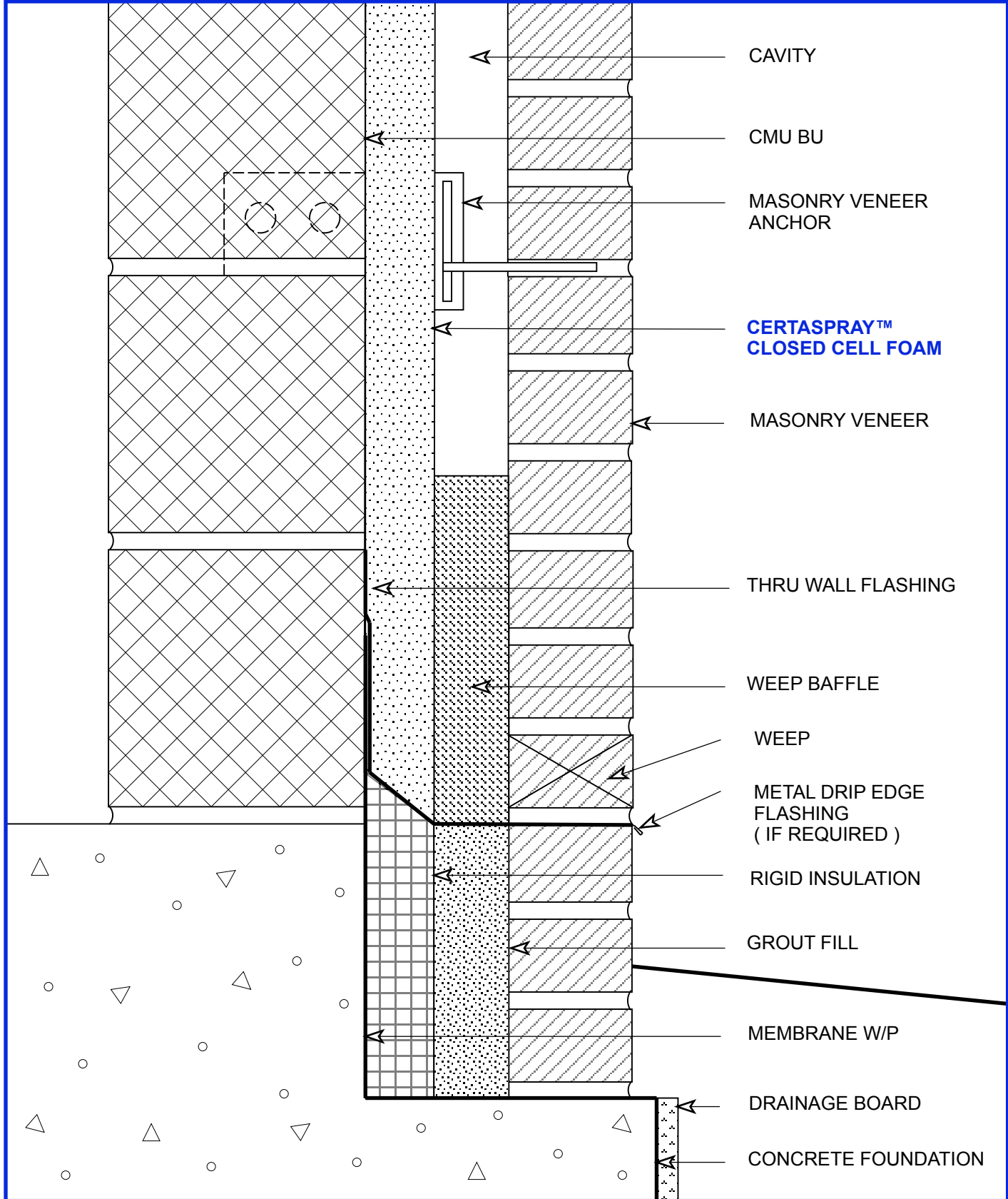


SKETCH: CERTASPRAY™  
 WALL BASE 1  
 CMU BU

**CertainTeed**  
 1400 Union Meeting Road Blue Bell, PA 19422  
 T 610-341-6712 F 610-341-6773  
 www.certainteed.com

SKETCH NO: SK-01

DATE: 4/22/09



CAVITY

CMU BU

MASONRY VENEER ANCHOR

**CERTASPRAY™  
CLOSED CELL FOAM**

MASONRY VENEER

THRU WALL FLASHING

WEEP BAFFLE

WEEP

METAL DRIP EDGE FLASHING ( IF REQUIRED )

RIGID INSULATION

GROUT FILL

MEMBRANE W/P

DRAINAGE BOARD

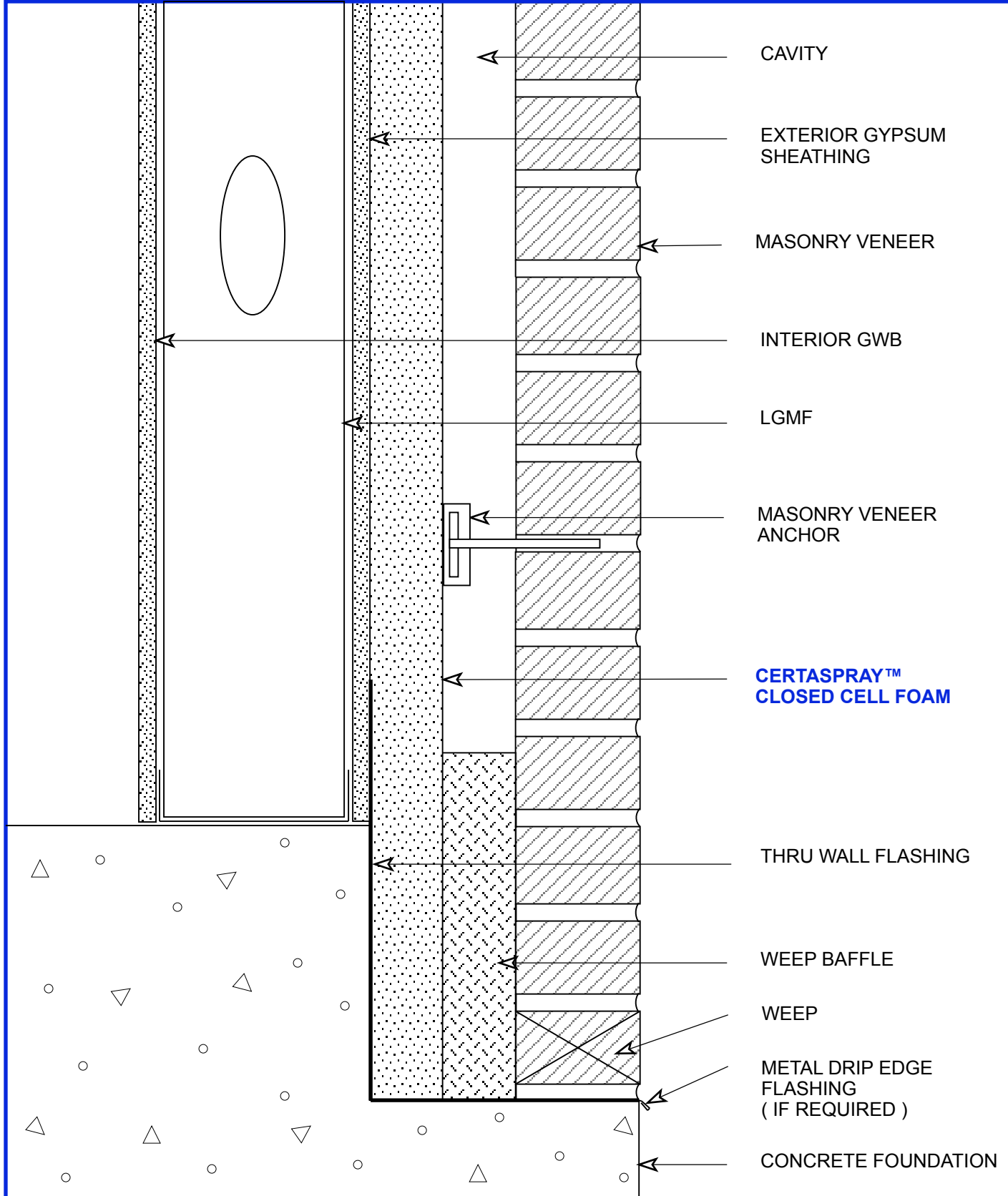
CONCRETE FOUNDATION

SKETCH: **CERTASPRAY™  
WALL BASE 2  
CMU BU**

**CertainTeed**  
 1400 Union Meeting Road Blue Bell, PA 19422  
 T 610-341-6712 F 610-341-6773  
 www.certainteed.com

SKETCH NO: **SK-02**

DATE: **4/22/09**



CAVITY

EXTERIOR GYPSUM SHEATHING

MASONRY VENEER

INTERIOR GWB

LGMF

MASONRY VENEER ANCHOR

**CERTASPRAY™  
CLOSED CELL FOAM**

THRU WALL FLASHING

WEEP BAFFLE

WEEP

METAL DRIP EDGE FLASHING  
( IF REQUIRED )

CONCRETE FOUNDATION

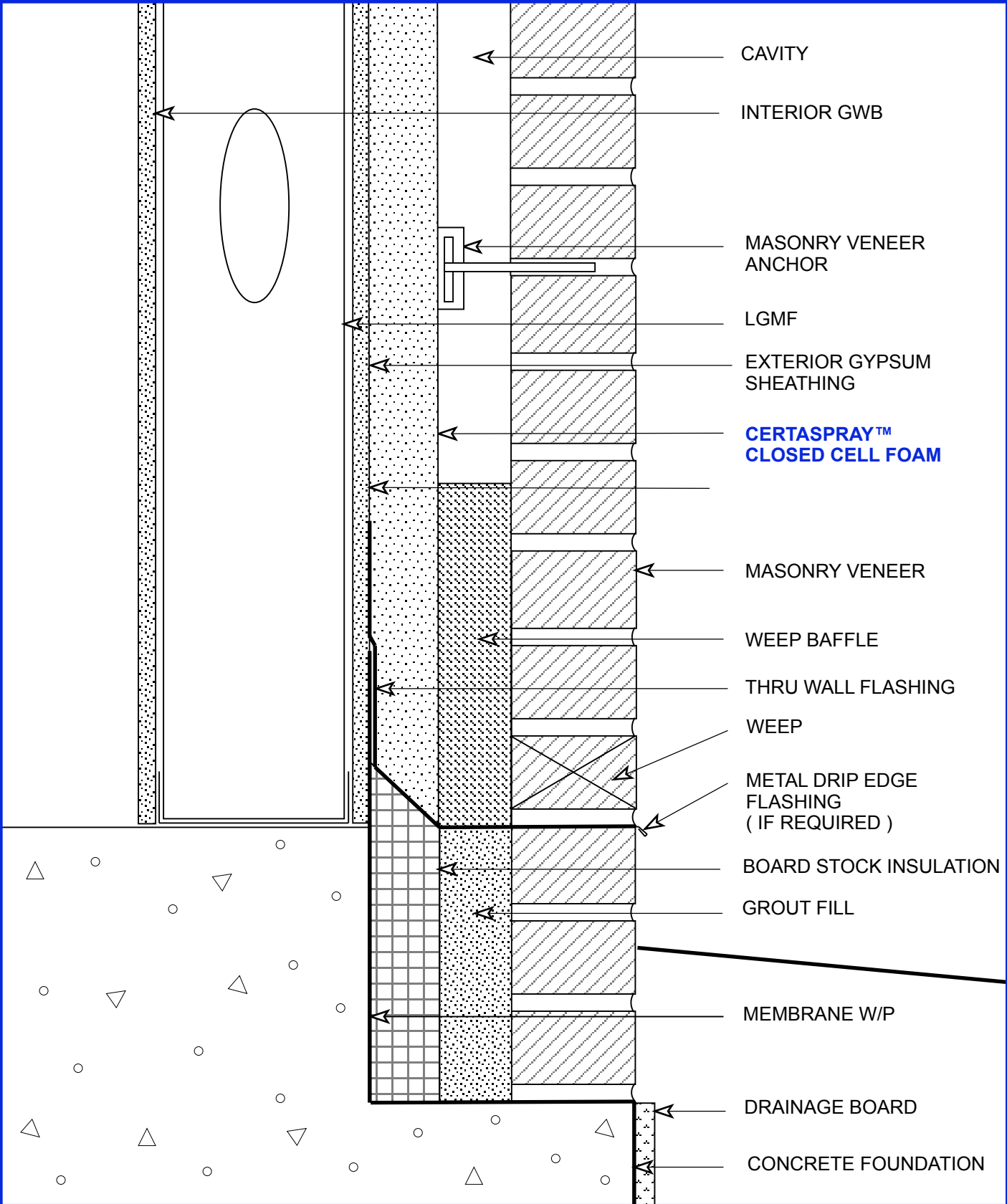
SKETCH: CERTASPRAY  
WALL BASE 1  
LGMF BU

**CertainTeed**

1400 Union Meeting Road Blue Bell, PA 19422  
T 610-341-6712 F 610-341-6773  
www.certainteeted.com

SKETCH NO: SK-03

DATE: 4/22/09



- ← CAVITY
- ← INTERIOR GWB
- ← MASONRY VENEER ANCHOR
- ← LGMF
- ← EXTERIOR GYPSUM SHEATHING
- ← **CERTASPRAY™  
CLOSED CELL FOAM**
- ← MASONRY VENEER
- ← WEEP Baffle
- ← THRU WALL FLASHING
- ← WEEP
- ← METAL DRIP EDGE FLASHING ( IF REQUIRED )
- ← BOARD STOCK INSULATION
- ← GROUT FILL
- ← MEMBRANE W/P
- ← DRAINAGE BOARD
- ← CONCRETE FOUNDATION

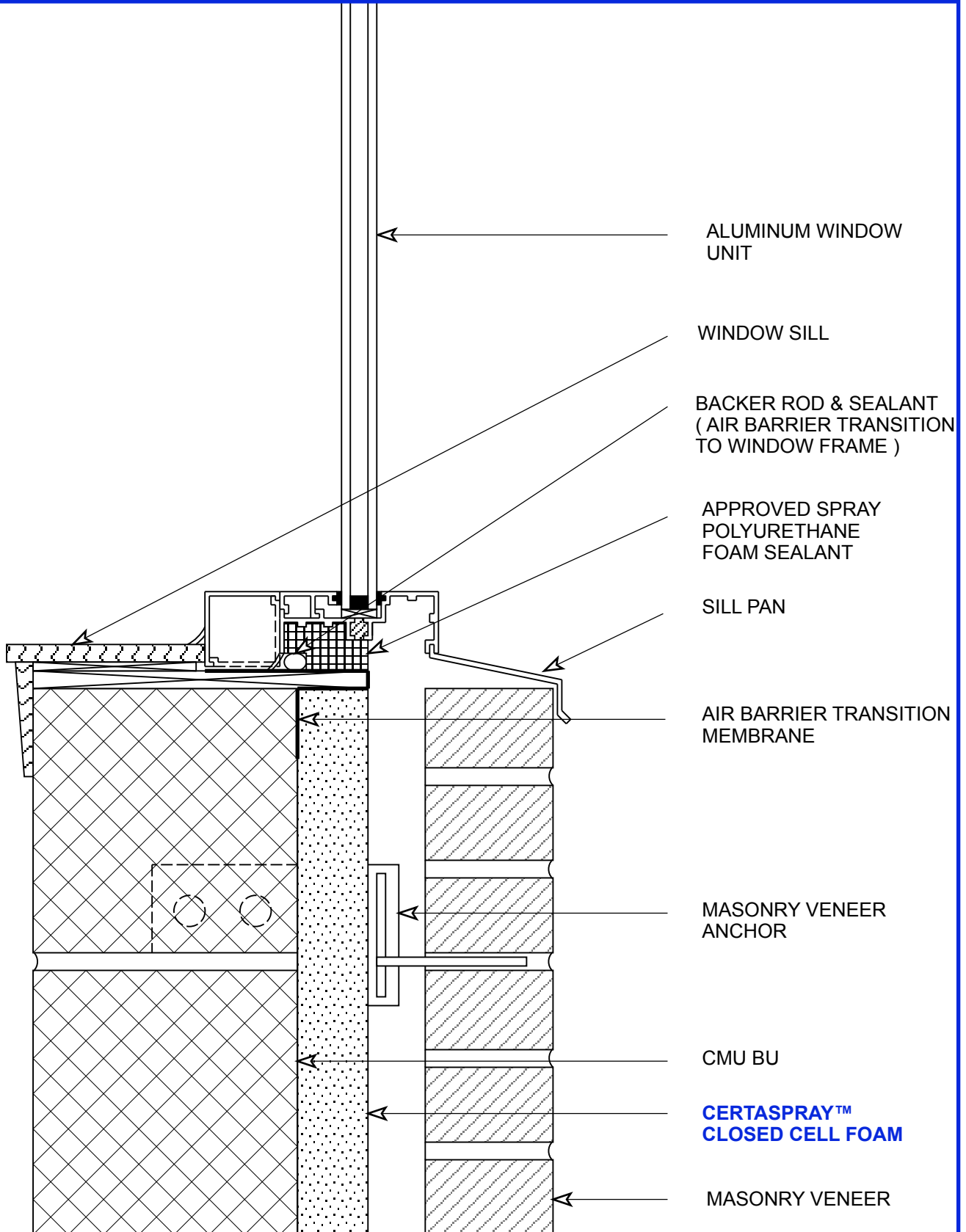
SKETCH: CERTASPRAY™  
WALL BASE 2  
LGMF BU

**CertainTeed**  
 1400 Union Meeting Road Blue Bell, PA 19422  
 T 610-341-6712 F 610-341-6773  
 www.certainteed.com

SKETCH NO: SK-04

DATE: 4/22/09





ALUMINUM WINDOW UNIT

WINDOW SILL

BACKER ROD & SEALANT  
( AIR BARRIER TRANSITION TO WINDOW FRAME )

APPROVED SPRAY POLYURETHANE FOAM SEALANT

SILL PAN

AIR BARRIER TRANSITION MEMBRANE

MASONRY VENEER ANCHOR

CMU BU

**CERTASPRAY™  
CLOSED CELL FOAM**

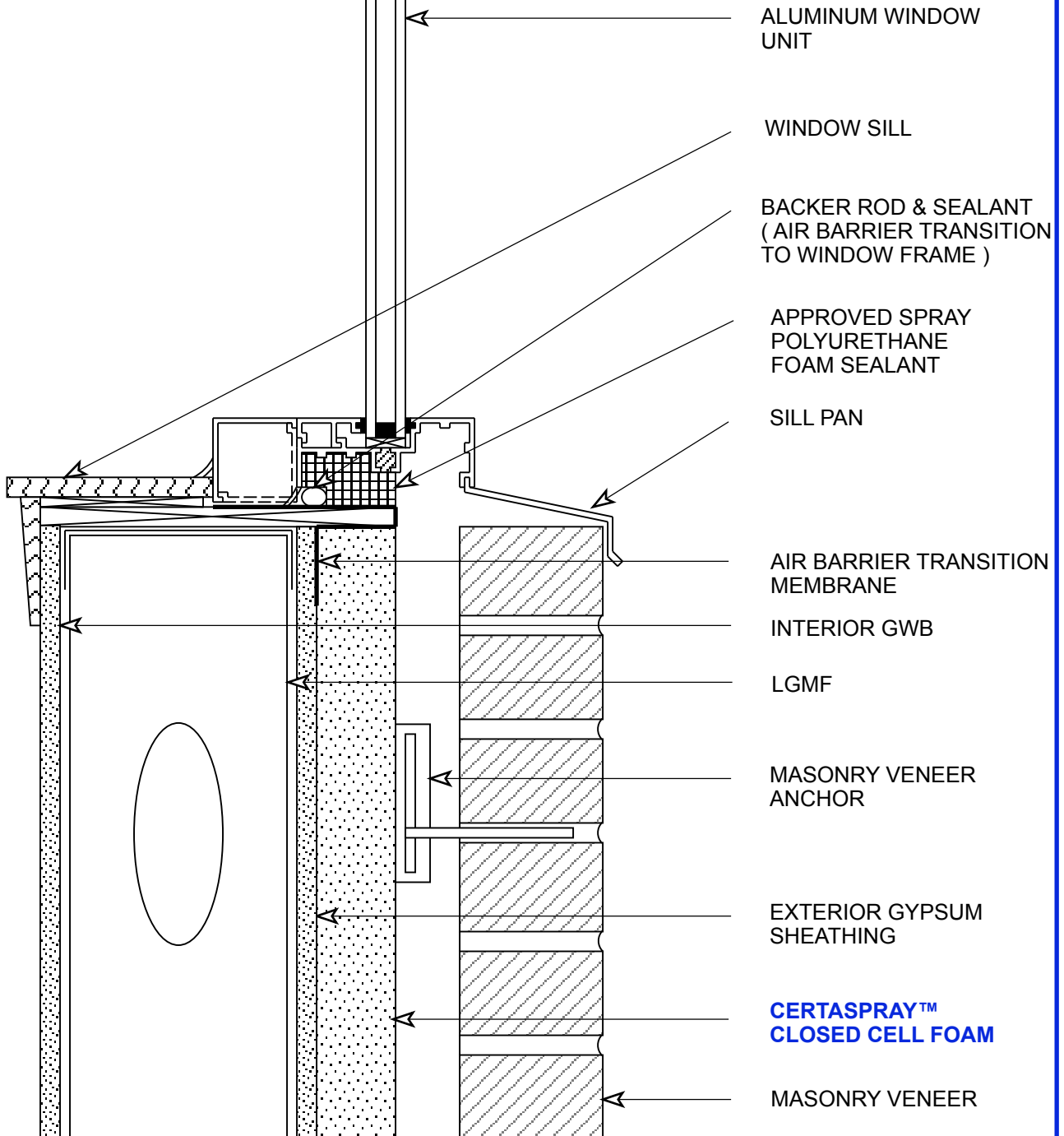
MASONRY VENEER

SKETCH: CERTASPRAY™  
SILL 1  
CMU BU

**CertainTeed**  
1400 Union Meeting Road Blue Bell, PA 19422  
T 610-341-6712 F 610-341-6773  
www.certainteed.com

SKETCH NO: SK-05

DATE: 4/22/09



ALUMINUM WINDOW UNIT

WINDOW SILL

BACKER ROD & SEALANT  
( AIR BARRIER TRANSITION  
TO WINDOW FRAME )

APPROVED SPRAY  
POLYURETHANE  
FOAM SEALANT

SILL PAN

AIR BARRIER TRANSITION  
MEMBRANE

INTERIOR GWB

LGMF

MASONRY VENEER  
ANCHOR

EXTERIOR GYPSUM  
SHEATHING

**CERTASPRAY™**  
**CLOSED CELL FOAM**

MASONRY VENEER

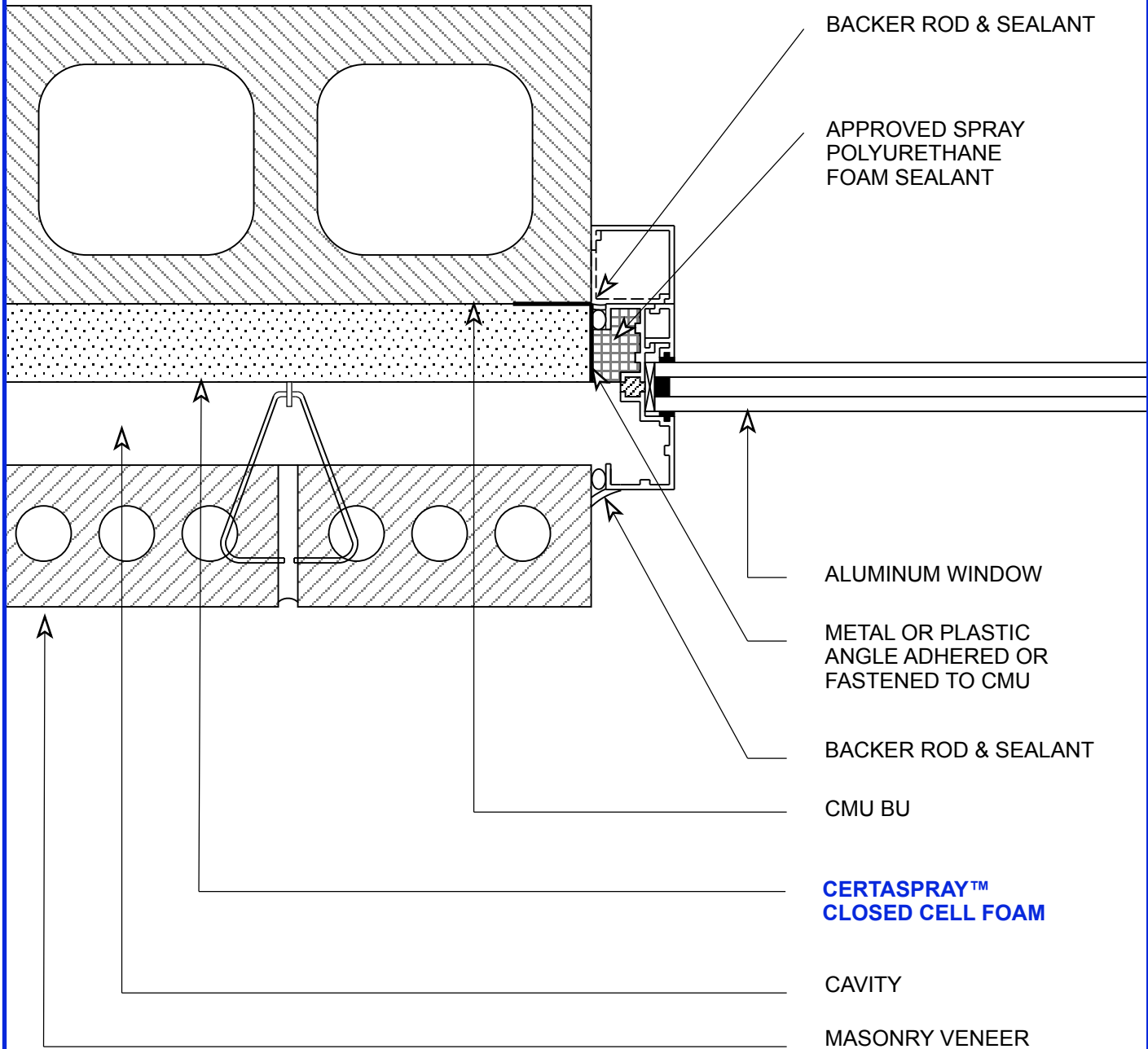
SKETCH: CERTASPRAY™  
SILL 2  
LGMF BU

**CertainTeed**

1400 Union Meeting Road Blue Bell, PA 19422  
T 610-341-6712 F 610-341-6773  
www.certainteed.com

SKETCH NO: SK-06

DATE: 4/22/09



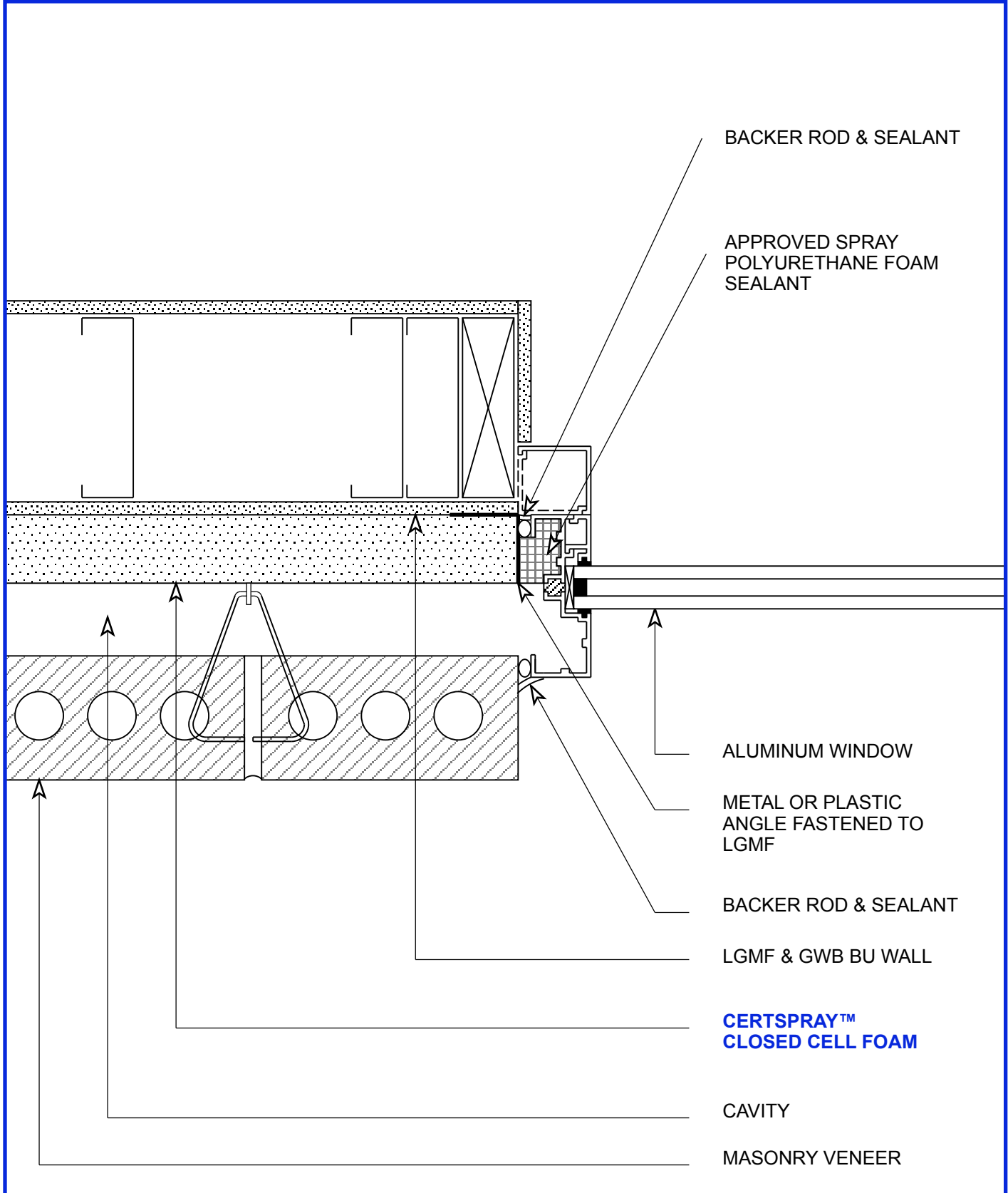
SKETCH: **CERTASPRAY™**  
**JAMB 1**  
**CMU BU**

**CertainTeed**

1400 Union Meeting Road Blue Bell, PA 19422  
 T 610-341-6712 F 610-341-6773  
 www.certainteed.com

SKETCH NO: **SK-07**

DATE: **4/22/09**



BACKER ROD & SEALANT

APPROVED SPRAY  
POLYURETHANE FOAM  
SEALANT

ALUMINUM WINDOW

METAL OR PLASTIC  
ANGLE FASTENED TO  
LGMF

BACKER ROD & SEALANT

LGMF & GWB BU WALL

**CERTSPRAY™**  
**CLOSED CELL FOAM**

CAVITY

MASONRY VENEER

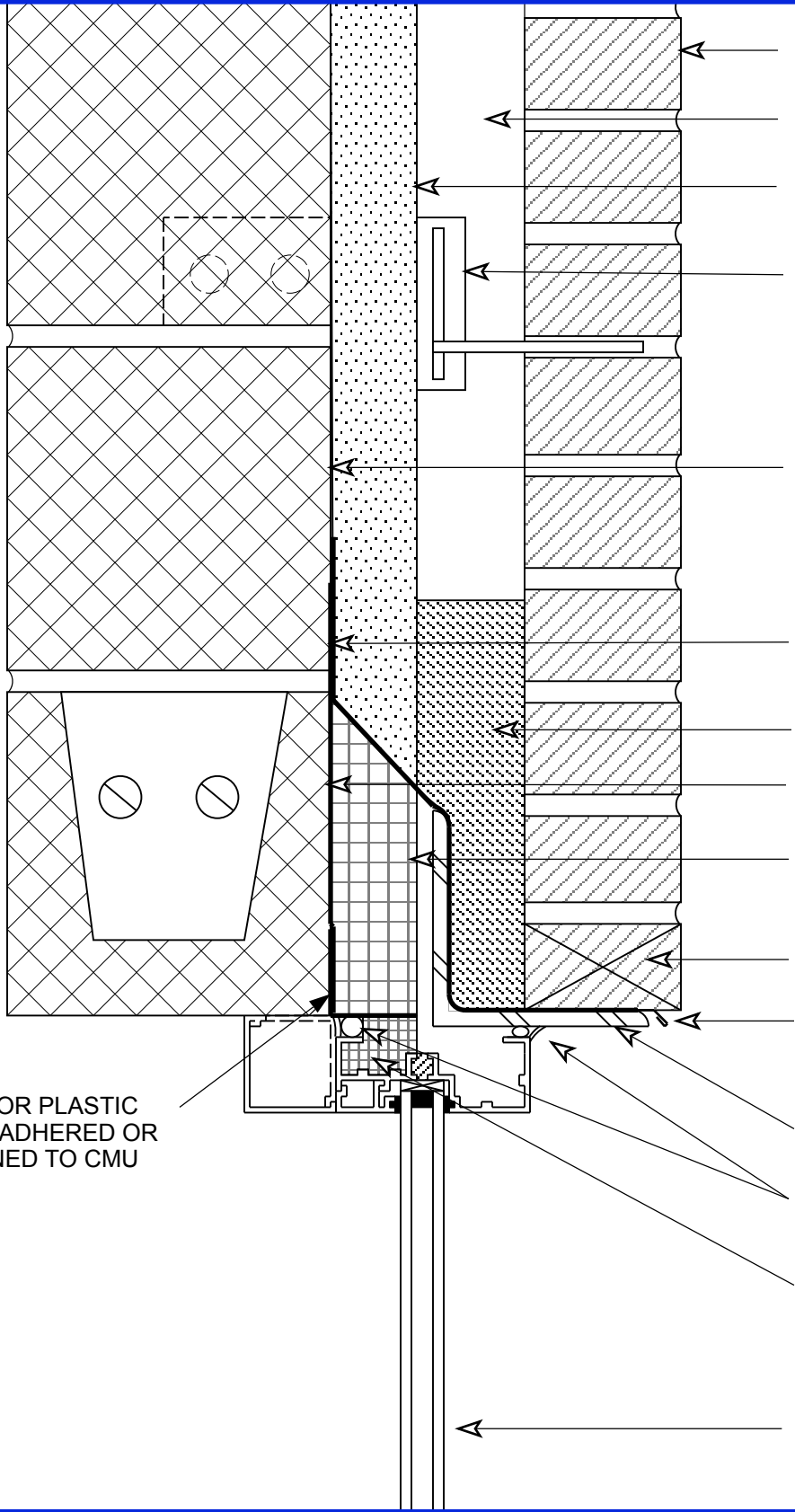
SKETCH: CERTASPRAY™  
JAMB 2  
LGMF BU

**CertainTeed**

1400 Union Meeting Road Blue Bell, PA 19422  
T 610-341-6712 F 610-341-6773  
www.certainteed.com

SKETCH NO: SK-08

DATE: 4/22/09



MASONRY VENEER

CAVITY

**CERTASPRAY™  
CLOSED CELL FOAM**

MASONRY VENEER  
ANCHOR

CMU BU

THRU WALL  
FLASHING

WEEP BAFFLE

DETAIL MEMBRANE

RIGID INSULATION

WEEP

METAL DRIP EDGE  
FLASHING  
( IF REQUIRED )

LOOSE STEEL LINTEL

BACKER ROD & SEALANT

APPROVED SPRAY  
POLYURETHANE FOAM  
SEALANT

ALUMINUM WINDOW  
UNIT

METAL OR PLASTIC  
ANGLE ADHERED OR  
FASTENED TO CMU

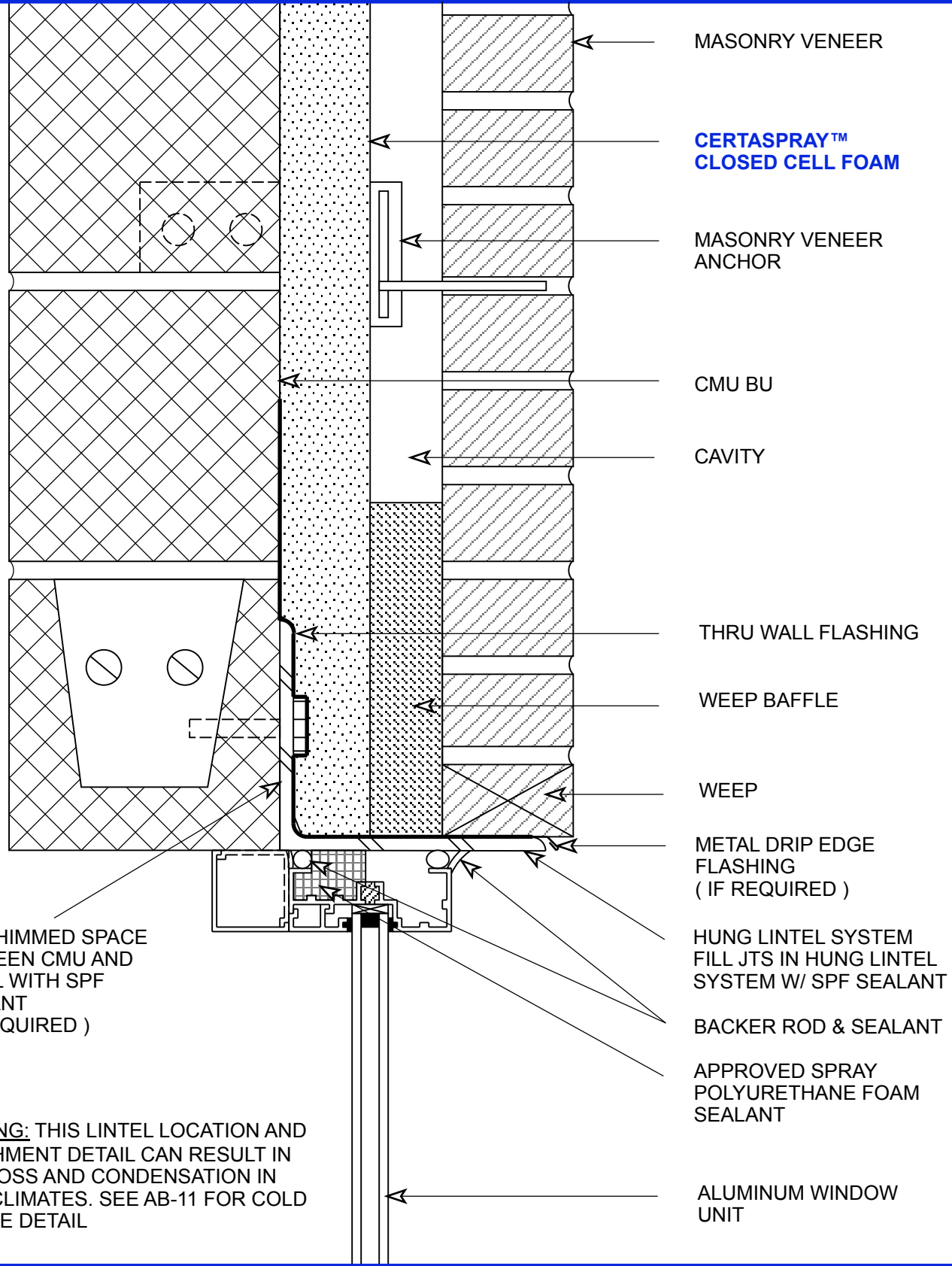
SKETCH: CERTASPRAY™  
HEAD DETAIL1  
CMU BU

**CertainTeed**

1400 Union Meeting Road Blue Bell, PA 19422  
T 610-341-6712 F 610-341-6773  
www.certainteed.com

SKETCH NO: SK-09

DATE: 4/22/09



MASONRY VENEER

CERTASPRAY™  
CLOSED CELL FOAM

MASONRY VENEER  
ANCHOR

CMU BU

CAVITY

THRU WALL FLASHING

WEEP BAFFLE

WEEP

METAL DRIP EDGE  
FLASHING  
( IF REQUIRED )

HUNG LINTEL SYSTEM  
FILL JTS IN HUNG LINTEL  
SYSTEM W/ SPF SEALANT

BACKER ROD & SEALANT

APPROVED SPRAY  
POLYURETHANE FOAM  
SEALANT

ALUMINUM WINDOW  
UNIT

FILL SHIMMED SPACE  
BETWEEN CMU AND  
LINTEL WITH SPF  
SEALANT  
( IF REQUIRED )

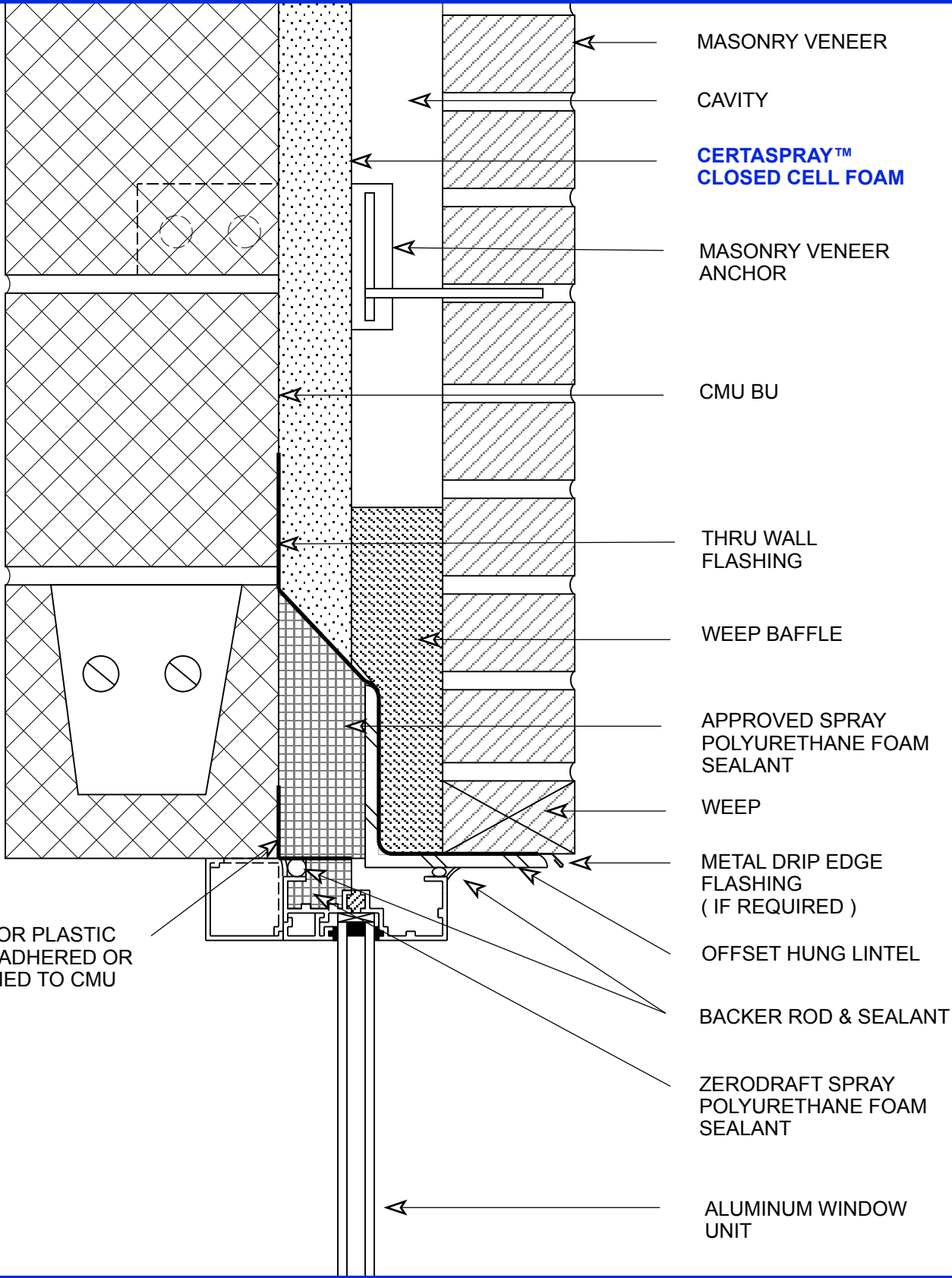
**WARNING:** THIS LINTEL LOCATION AND  
ATTACHMENT DETAIL CAN RESULT IN  
HEAT LOSS AND CONDENSATION IN  
COLD CLIMATES. SEE AB-11 FOR COLD  
CLIMATE DETAIL

SKETCH: CERTASPRAY™  
HEAD DETAIL 2  
CMU BU

**CertainTeed**  
1400 Union Meeting Road Blue Bell, PA 19422  
T 610-341-6712 F 610-341-6773  
www.certainteed.com

SKETCH NO: SK-10

DATE: 4/22/09



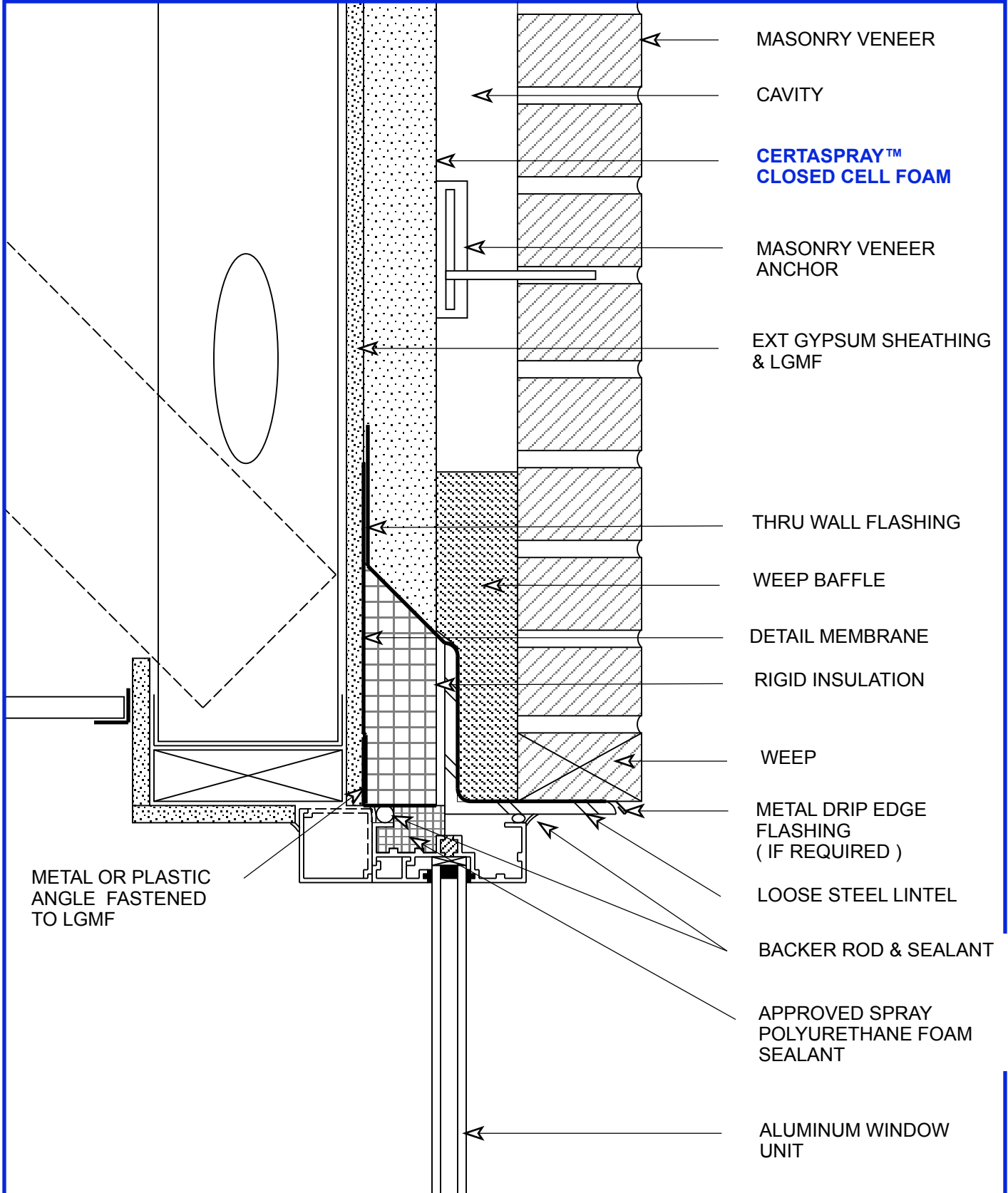
METAL OR PLASTIC ANGLE ADHERED OR FASTENED TO CMU

SKETCH: CERTASPRAY™  
 HEAD DETAIL 3  
 CMU BU

**CertainTeed**  
 1400 Union Meeting Road Blue Bell, PA 19422  
 T 610-341-6712 F 610-341-6773  
 www.certainteeted.com

SKETCH NO: SK-11

DATE: 4/22/09



- MASONRY VENEER
- CAVITY
- CERTASPRAY™  
CLOSED CELL FOAM**
- MASONRY VENEER  
ANCHOR
- EXT GYPSUM SHEATHING  
& LGMF
- THRU WALL FLASHING
- WEEP Baffle
- DETAIL MEMBRANE
- RIGID INSULATION
- WEEP
- METAL DRIP EDGE  
FLASHING  
( IF REQUIRED )
- LOOSE STEEL LINTEL
- BACKER ROD & SEALANT
- APPROVED SPRAY  
POLYURETHANE FOAM  
SEALANT
- ALUMINUM WINDOW  
UNIT

METAL OR PLASTIC  
ANGLE FASTENED  
TO LGMF

SKETCH: CERTASPRAY™  
HEAD DETAIL 1  
LGMF BU

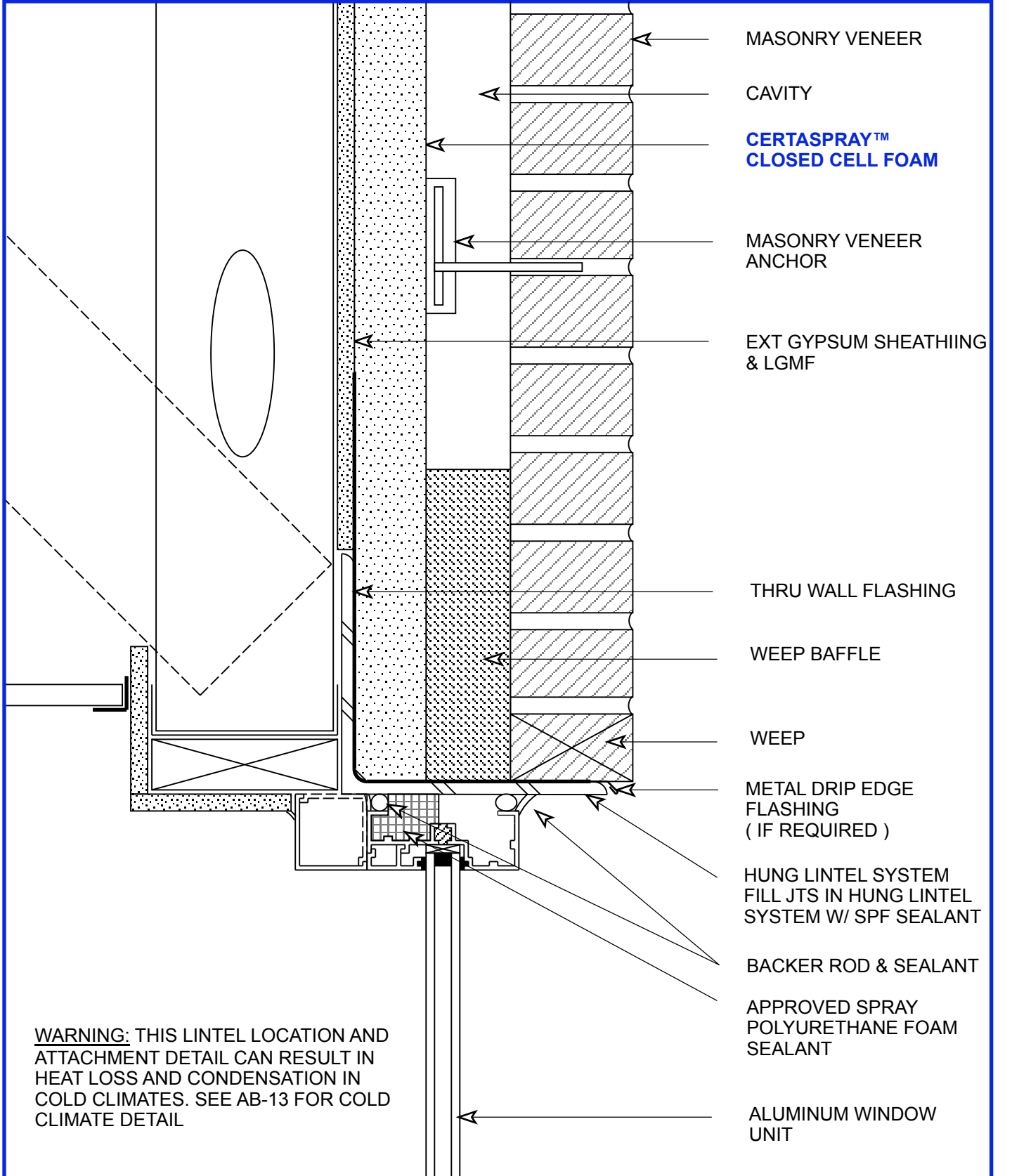
**CertainTeed**

1400 Union Meeting Road Blue Bell, PA 19422  
T 610-341-6712 F 610-341-6773  
www.certainteed.com

SKETCH NO: SK-12

DATE: 4/22/09





MASONRY VENEER

CAVITY

**CERTASPRAY™  
CLOSED CELL FOAM**

MASONRY VENEER  
ANCHOR

EXT GYPSUM SHEATHING  
& LGMF

THRU WALL FLASHING

WEEP Baffle

WEEP

METAL DRIP EDGE  
FLASHING  
( IF REQUIRED )

HUNG LINTEL SYSTEM  
FILL JTS IN HUNG LINTEL  
SYSTEM W/ SPF SEALANT

BACKER ROD & SEALANT

APPROVED SPRAY  
POLYURETHANE FOAM  
SEALANT

ALUMINUM WINDOW  
UNIT

**WARNING:** THIS LINTEL LOCATION AND ATTACHMENT DETAIL CAN RESULT IN HEAT LOSS AND CONDENSATION IN COLD CLIMATES. SEE AB-13 FOR COLD CLIMATE DETAIL

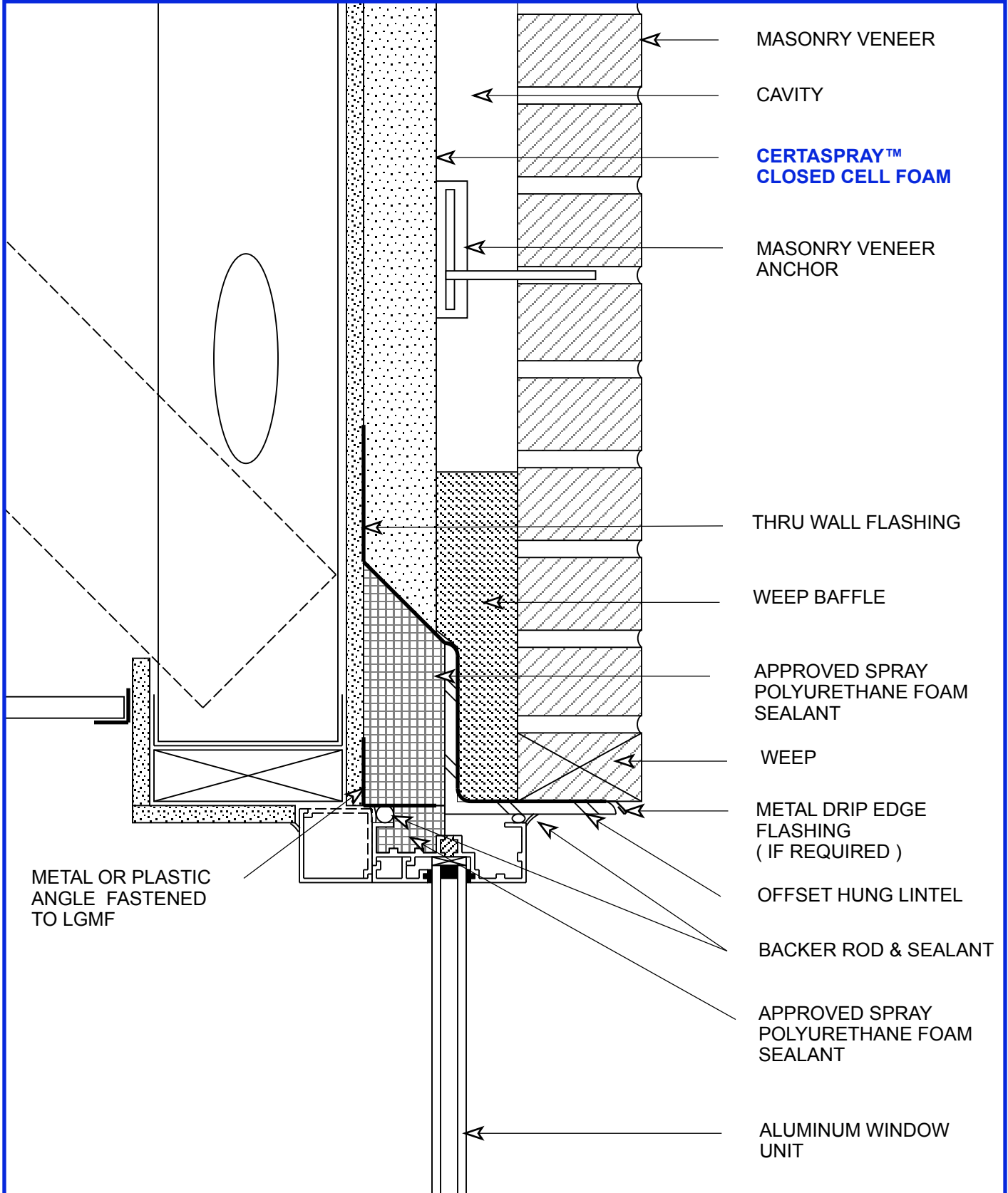
SKETCH: CERTASPRAY™  
HEAD DETAIL 2  
LGMF BU



1400 Union Meeting Road Blue Bell, PA 19422  
T 610-341-6712 F 610-341-6773  
www.certainteed.com

SKETCH NO: SK-13

DATE: 4/22/09



MASONRY VENEER

CAVITY

**CERTASPRAY™  
CLOSED CELL FOAM**

MASONRY VENEER  
ANCHOR

THRU WALL FLASHING

WEEP BAFFLE

APPROVED SPRAY  
POLYURETHANE FOAM  
SEALANT

WEEP

METAL DRIP EDGE  
FLASHING  
( IF REQUIRED )

OFFSET HUNG LINTEL

BACKER ROD & SEALANT

APPROVED SPRAY  
POLYURETHANE FOAM  
SEALANT

ALUMINUM WINDOW  
UNIT

METAL OR PLASTIC  
ANGLE FASTENED  
TO LGMF

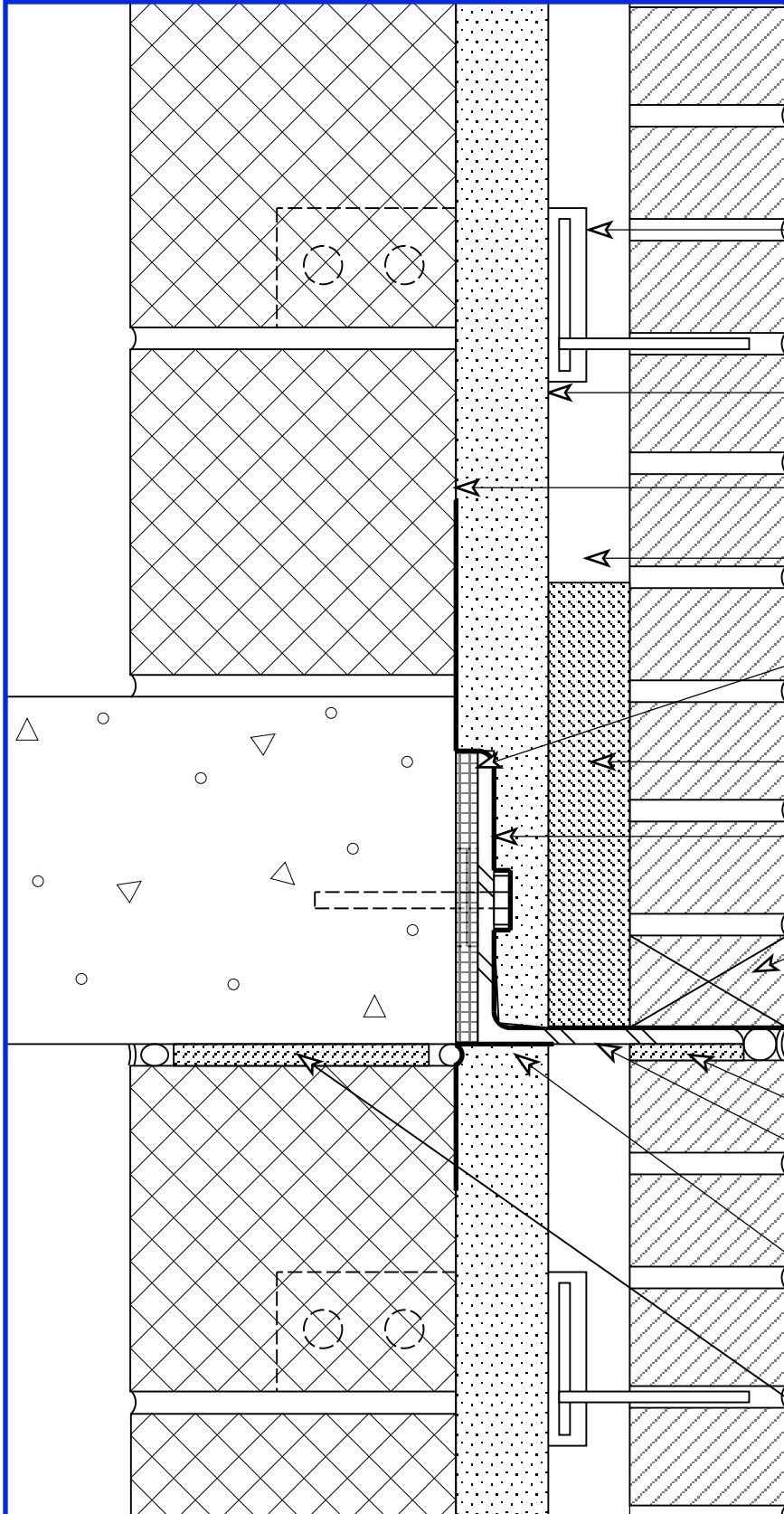
SKETCH: CERTASPRAY  
HEAD DETAIL 3  
LGMF BU

**CertainTeed**  
1400 Union Meeting Road Blue Bell, PA 19422  
T 610-341-6712 F 610-341-6773  
www.certainteeted.com

SKETCH NO: SK-14

DATE: 4/22/09

**WARNING:** THIS LINTEL LOCATION AND ATTACHMENT DETAIL CAN RESULT IN HEAT LOSS AND CONDENSATION IN COLD CLIMATES. SEE AB-16 FOR COLD CLIMATE DETAIL



MASONRY VENEER ANCHOR

MASONRY VENEER

**CERTASPRAY™  
CLOSED CELL FOAM**

CMU BU

CAVITY

APPROVED SPFS AT SHIM SPACE BEHIND HUNG LINTEL TO SUPPORT FLASHING ( IF REQ'D )

WEEP BAFFLE

THRU WALL FLASHING

WEEP

METAL DRIP EDGE FLASHING ( IF REQUIRED )

BACKER ROD & SEALANT

COMPRESSIBLE FILLER

HUNG LINTEL SYSTEM  
FILL JTS IN HUNG LINTEL SYSTEM W/ SPF SEALANT TO TRANSITION AVB

TRANSITION MEMBRANE W/ BACKER ROD TO CREATE A BELLOW FOR DEFLECTION

COMPRESSIBLE FILLER

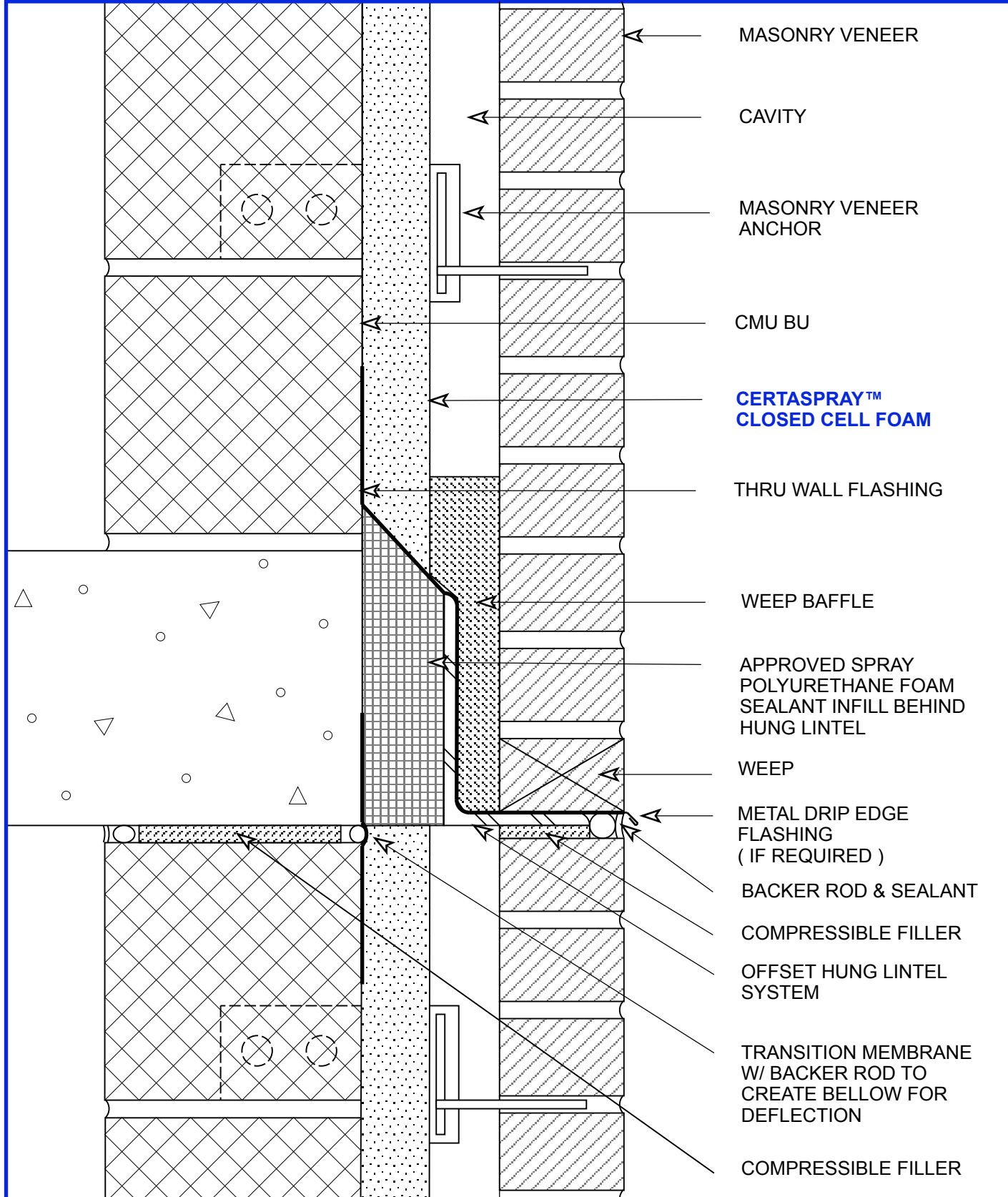
SKETCH: CERTASPRAY™  
RELIEVING ANGLE 1  
CMU BU

**CertainTeed**

1400 Union Meeting Road Blue Bell, PA 19422  
T 610-341-6712 F 610-341-6773  
www.certainteed.com

SKETCH NO: SK-15

DATE: 4/22/09



MASONRY VENEER

CAVITY

MASONRY VENEER ANCHOR

CMU BU

**CERTASPRAY™  
CLOSED CELL FOAM**

THRU WALL FLASHING

WEEP BAFFLE

APPROVED SPRAY  
POLYURETHANE FOAM  
SEALANT INFILL BEHIND  
HUNG LINTEL

WEEP

METAL DRIP EDGE  
FLASHING  
( IF REQUIRED )

BACKER ROD & SEALANT

COMPRESSIBLE FILLER

OFFSET HUNG LINTEL  
SYSTEM

TRANSITION MEMBRANE  
W/ BACKER ROD TO  
CREATE BELLOW FOR  
DEFLECTION

COMPRESSIBLE FILLER

SKETCH: CERTASPRAY™  
RELIEVING ANGLE 2  
CMU BU

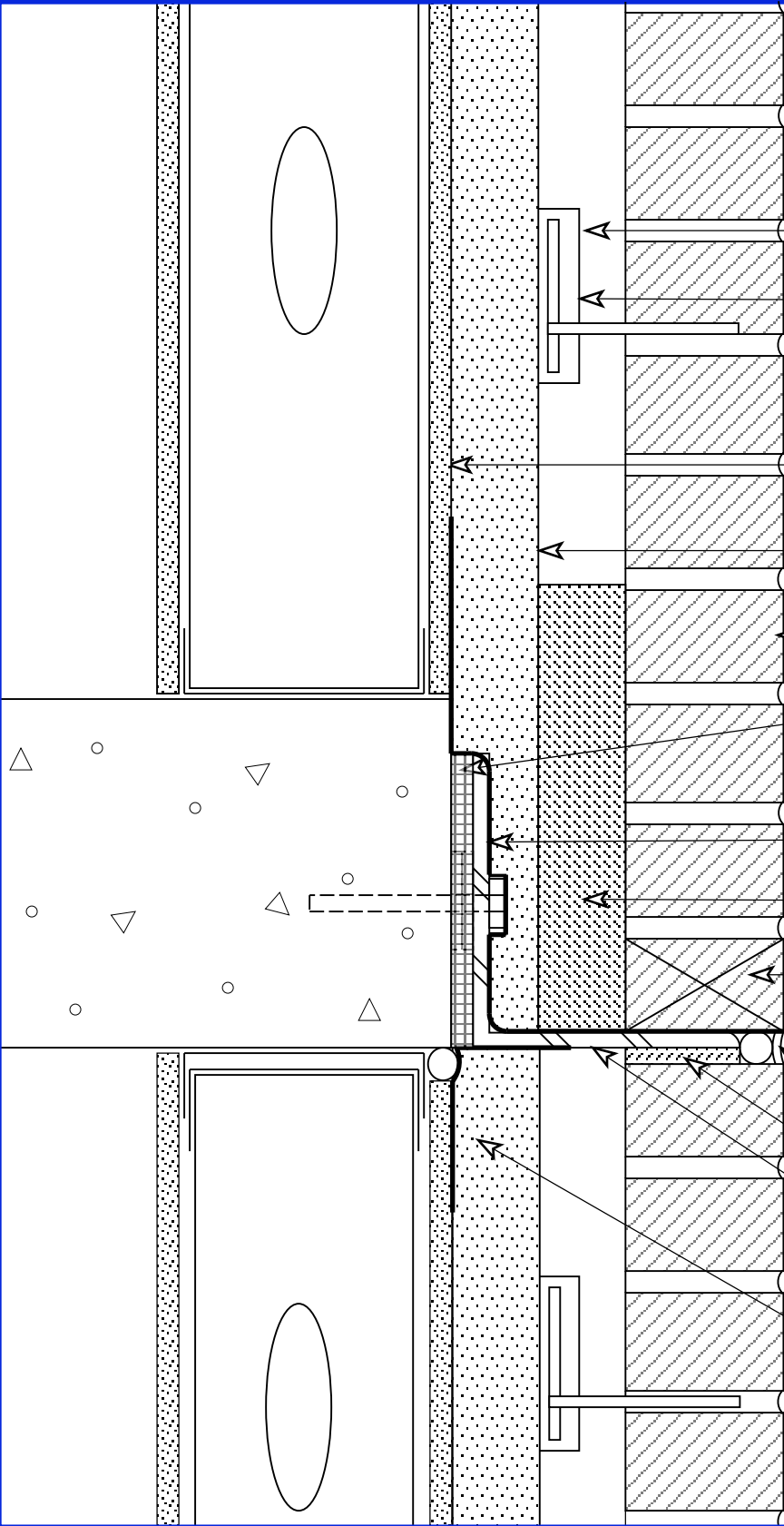
**CertainTeed**

1400 Union Meeting Road Blue Bell, PA 19422  
T 610-341-6712 F 610-341-6773  
www.certainteeds.com

SKETCH NO: SK-16

DATE: 4/22/09

**WARNING: THIS LINTEL LOCATION AND ATTACHMENT DETAIL CAN RESULT IN HEAT LOSS AND CONDENSATION IN COLD CLIMATES. SEE AB-18 FOR COLD CLIMATE DETAIL**



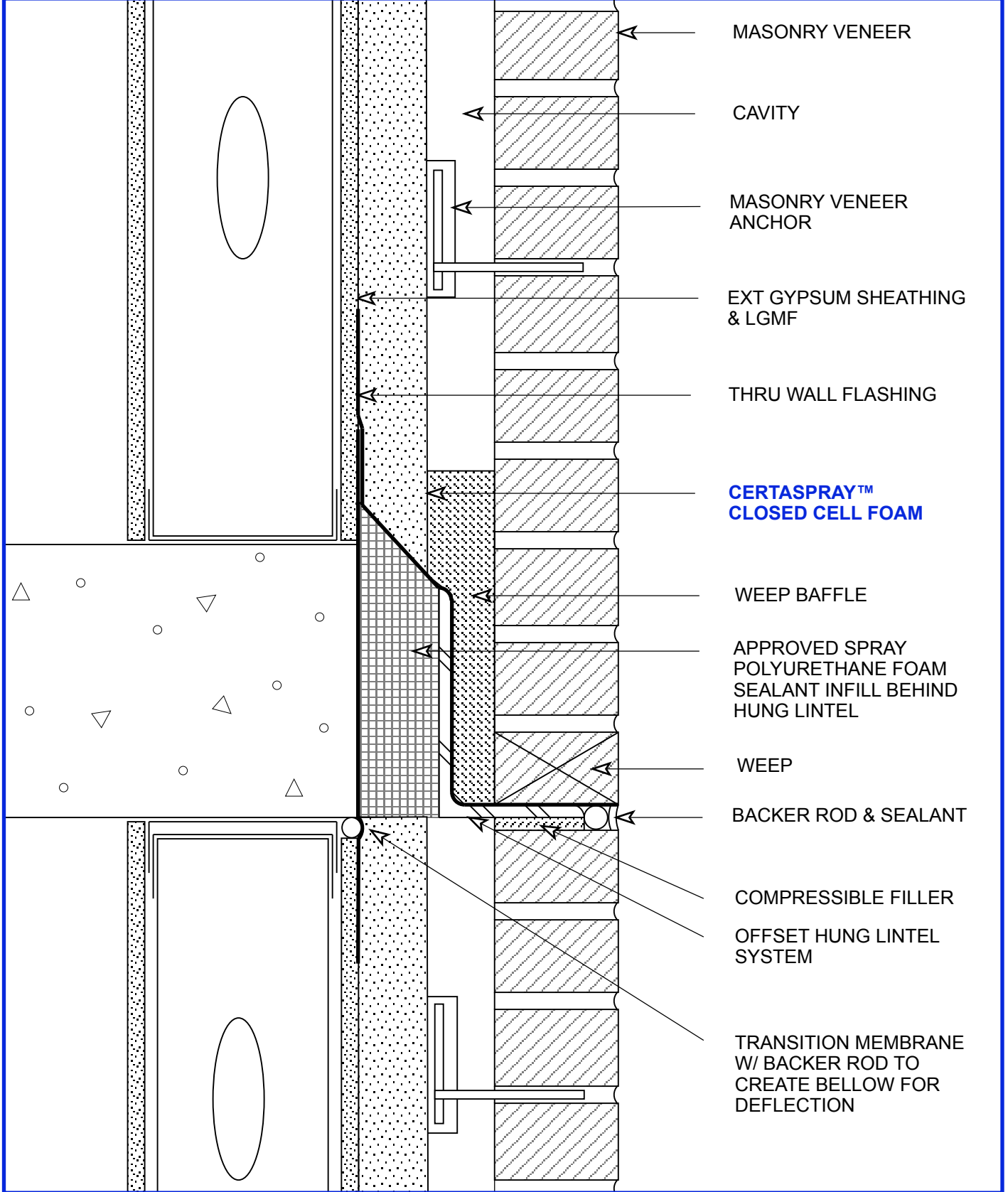
- CAVITY
- MASONRY VENEER ANCHOR
- EXT GYPSUM SHEATHING & LGMF
- CERTASPRAY™  
CLOSED CELL FOAM**
- MASONRY VENEER
- APPROVED SPFS FILL AT SHIM SPACE BEHIND ANGLE ( IF NEEDED )
- THRU WALL FLASHING
- WEEP BAFFLE
- WEEP
- METAL DRIP EDGE FLASHING ( IF REQUIRED )
- BACKER ROD & SEALANT
- COMPRESSIBLE FILLER
- HUNG LINTEL SYSTEM FILL JTS IN HUNG LINTEL SYSTEM W/ SPF SEALANT TO TRANSITION AVB
- TRANSITION MEMBRANE W/ BACKER ROD TO CREATE BELLOW FOR DEFLECTION HEAD

SKETCH: **CERTASPRAY™  
RELIEVING ANGLE 1  
LGMF BU**

**CertainTeed**  
 1400 Union Meeting Road Blue Bell, PA 19422  
 T 610-341-6712 F 610-341-6773  
 www.certainteed.com

SKETCH NO: **SK-17**

DATE: **4/22/09**

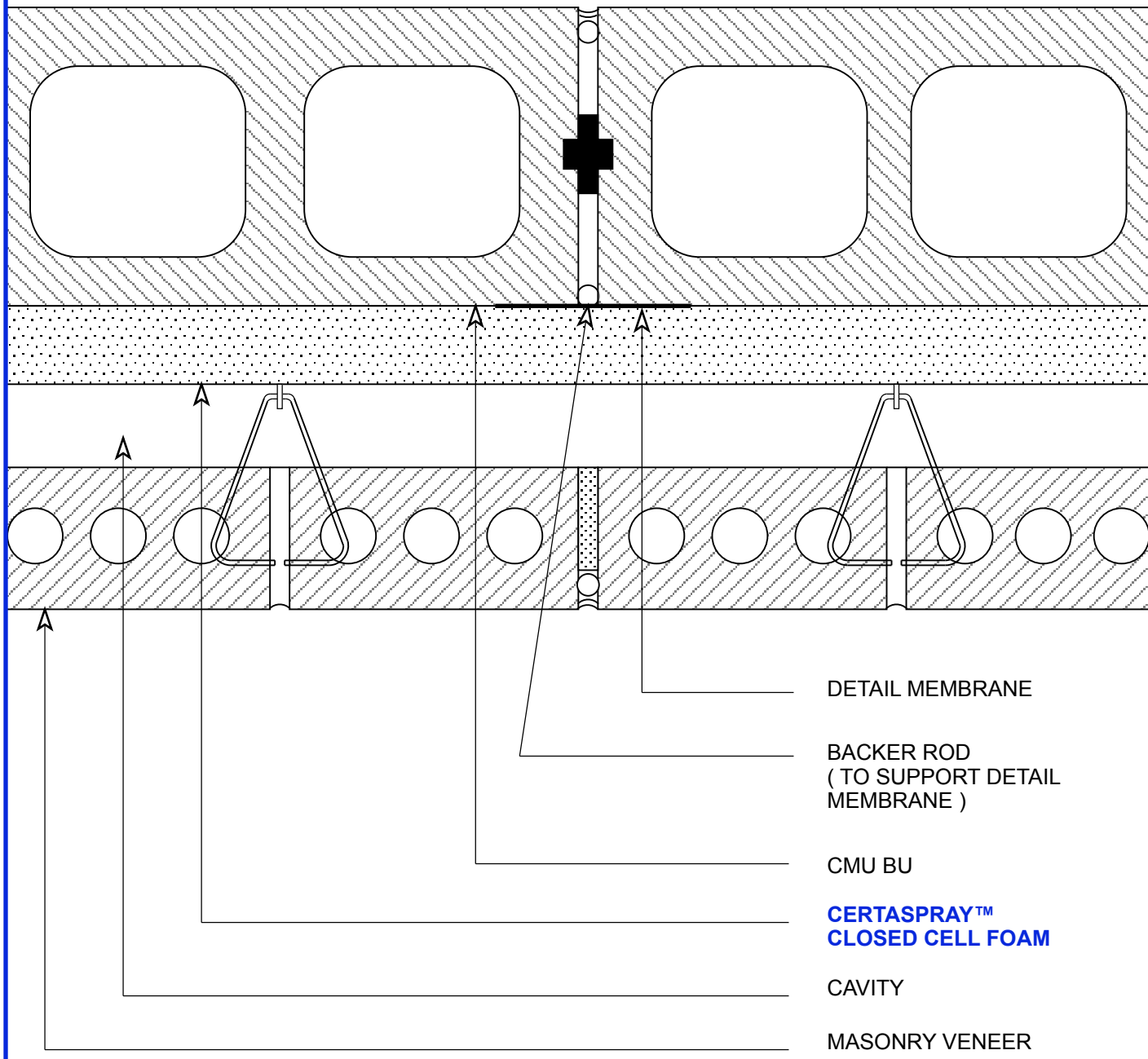


SKETCH: CERTASPRAY™  
 RELIEVING ANGLE 2  
 LGMF BU

**CertainTeed**  
 1400 Union Meeting Road Blue Bell, PA 19422  
 T 610-341-6712 F 610-341-6773  
 www.certainteed.com

SKETCH NO: SK-18

DATE: 4/22/09



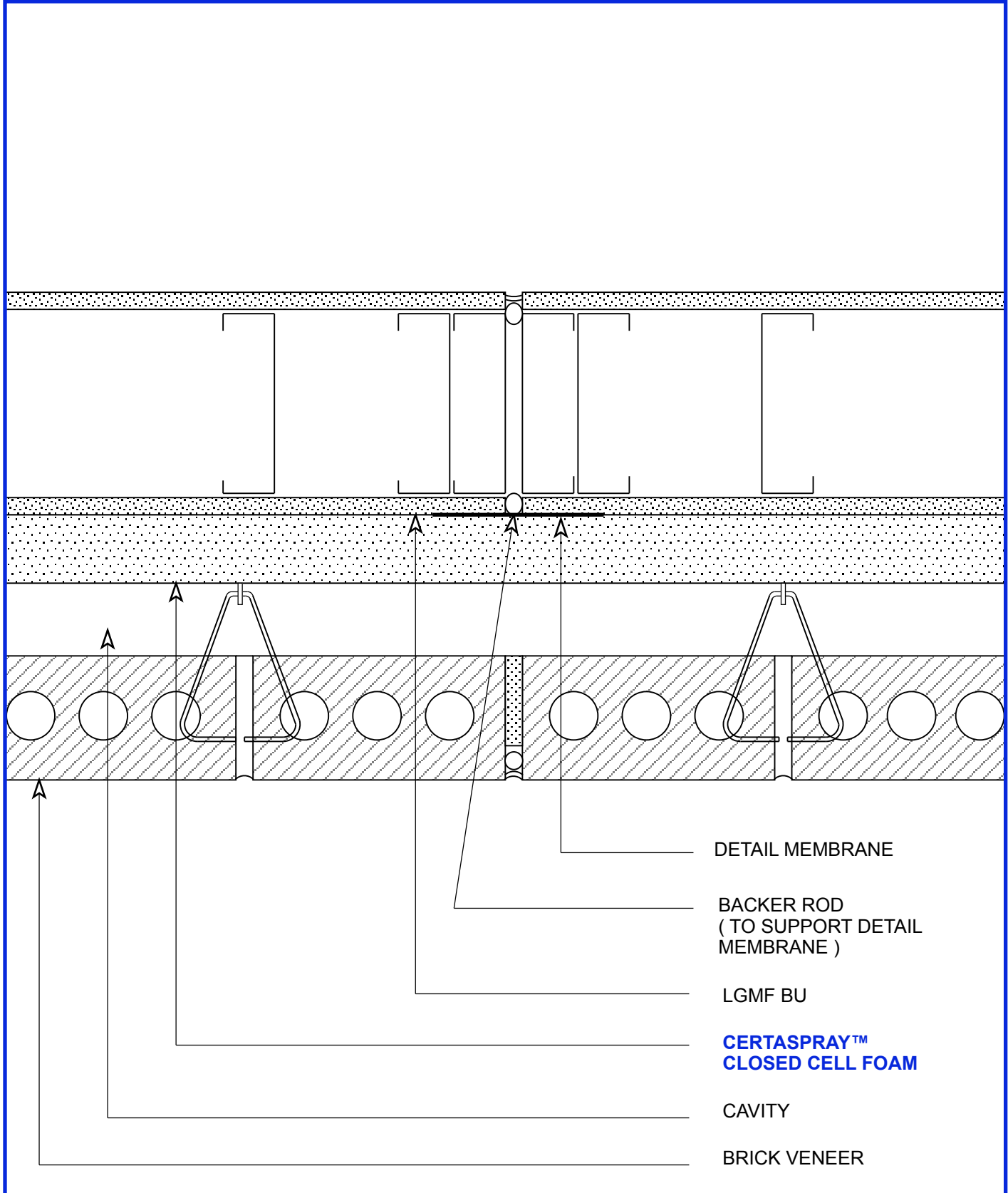
- DETAIL MEMBRANE
- BACKER ROD  
( TO SUPPORT DETAIL MEMBRANE )
- CMU BU
- CERTASPRAY™**  
**CLOSED CELL FOAM**
- CAVITY
- MASONRY VENEER

SKETCH: CERTASPRAY™  
CONTROL JOINT  
CMU BU

**CertainTeed**   
 1400 Union Meeting Road Blue Bell, PA 19422  
 T 610-341-6712 F 610-341-6773  
 www.certainteed.com

SKETCH NO: SK-19

DATE: 4/22/09



DETAIL MEMBRANE

BACKER ROD  
( TO SUPPORT DETAIL  
MEMBRANE )

LGMF BU

**CERTASPRAY™**  
**CLOSED CELL FOAM**

CAVITY

BRICK VENEER

SKETCH: CERTASPRAY™  
CONTROL JOINT  
LGMF BU

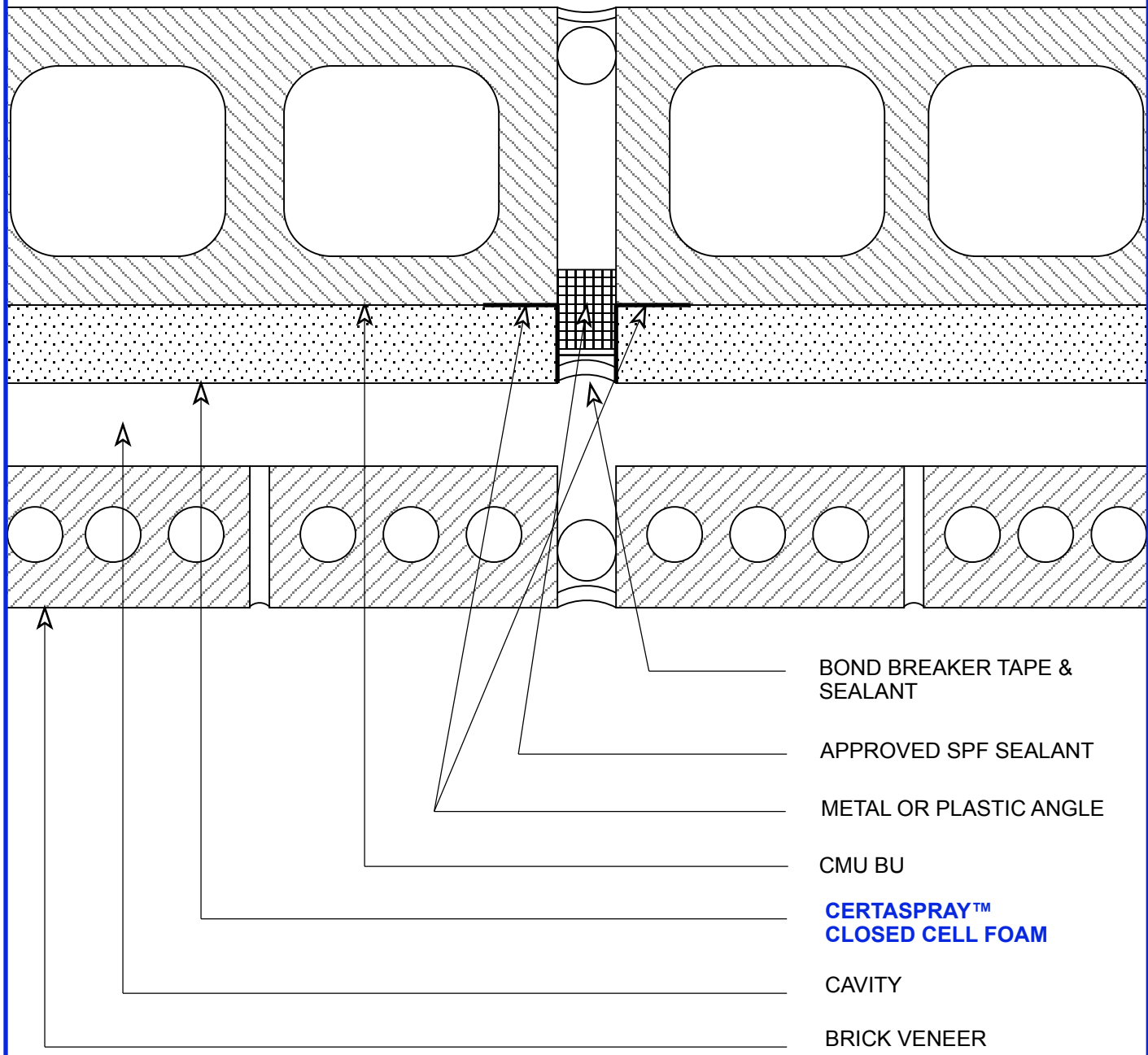
**CertainTeed**

1400 Union Meeting Road Blue Bell, PA 19422  
T 610-341-6712 F 610-341-6773  
www.certainteed.com

SKETCH NO: SK-20

DATE: 4/22/09





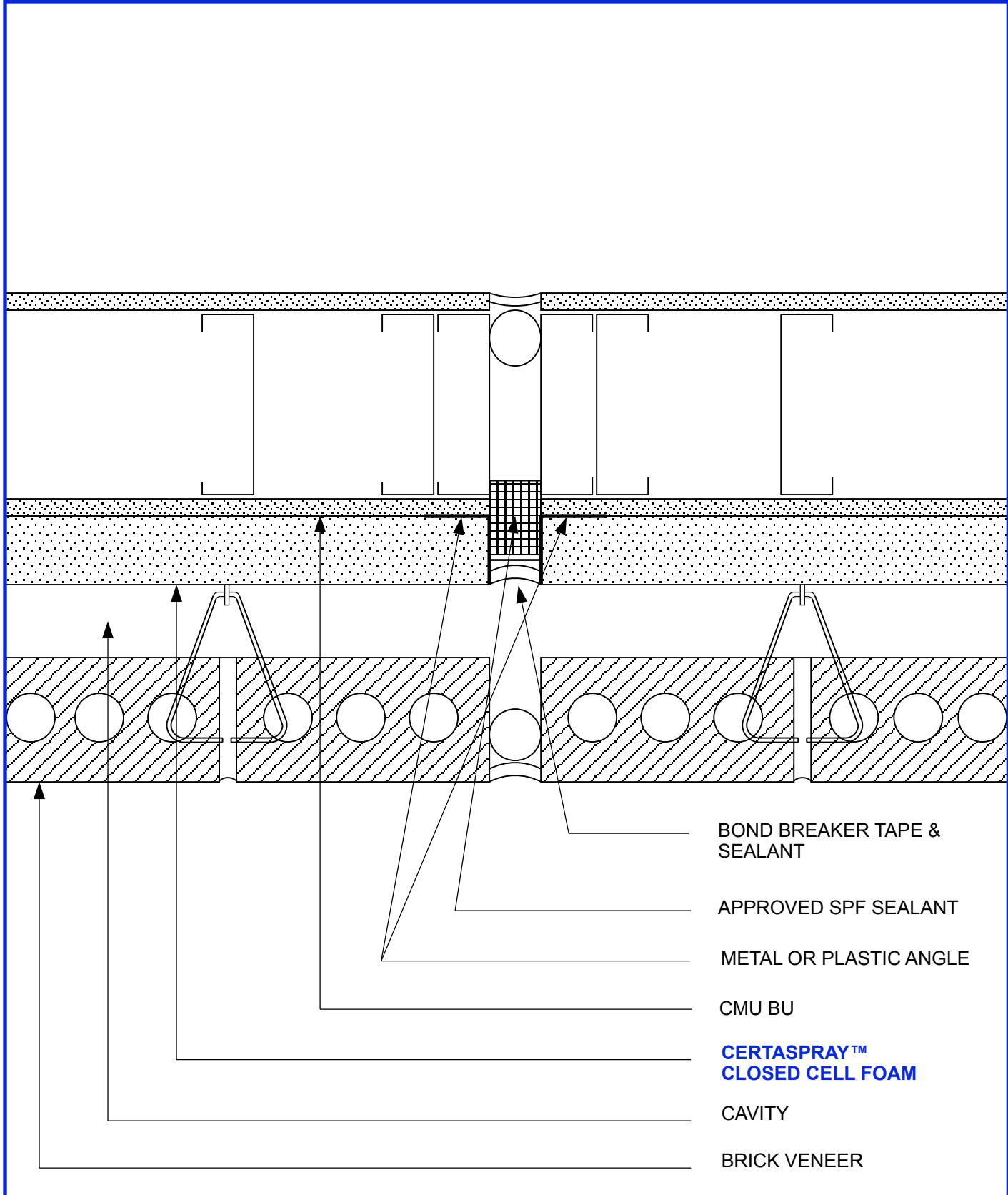
- BOND BREAKER TAPE & SEALANT
- APPROVED SPF SEALANT
- METAL OR PLASTIC ANGLE
- CMU BU
- CERTASPRAY™  
CLOSED CELL FOAM**
- CAVITY
- BRICK VENEER

SKETCH: CERTASPRAY™  
EXPANSION JOINT  
CMU BU

**CertainTeed**  
1400 Union Meeting Road Blue Bell, PA 19422  
T 610-341-6712 F 610-341-6773  
www.certainteed.com

SKETCH NO: SK-21

DATE: 4/22/09



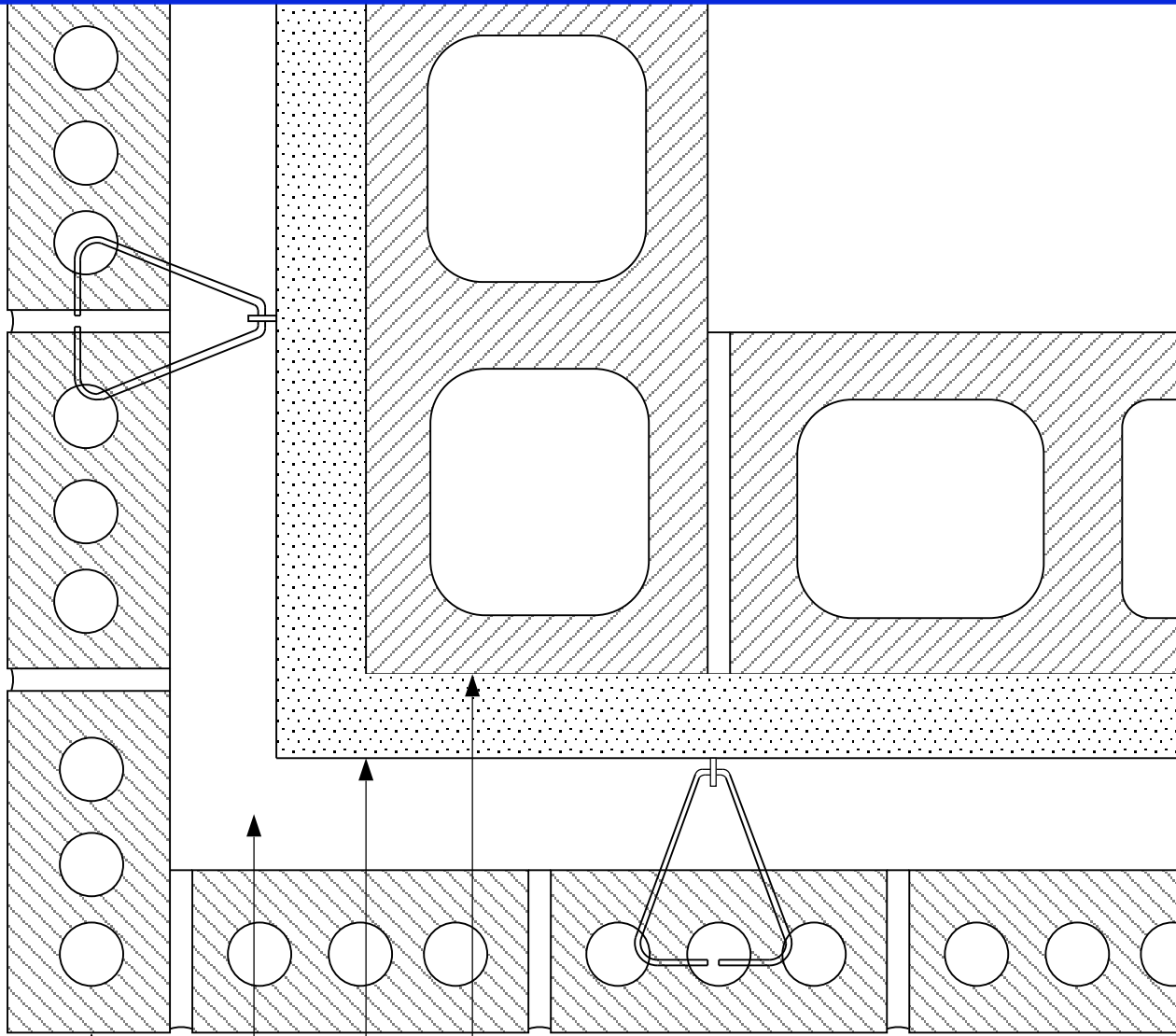
- BOND BREAKER TAPE & SEALANT
- APPROVED SPF SEALANT
- METAL OR PLASTIC ANGLE
- CMU BU
- CERTASPRAY™  
CLOSED CELL FOAM**
- CAVITY
- BRICK VENEER

SKETCH: CERTASPRAY™  
EXPANSION JOINT  
LGMF BU

**CertainTeed**  
 1400 Union Meeting Road Blue Bell, PA 19422  
 T 610-341-6712 F 610-341-6773  
 www.certainteed.com

SKETCH NO: SK-22

DATE: 4/22/09



CMU BU

**CERTASPRAY™  
CLOSED CELL FOAM**

CAVITY

BRICK VENEER

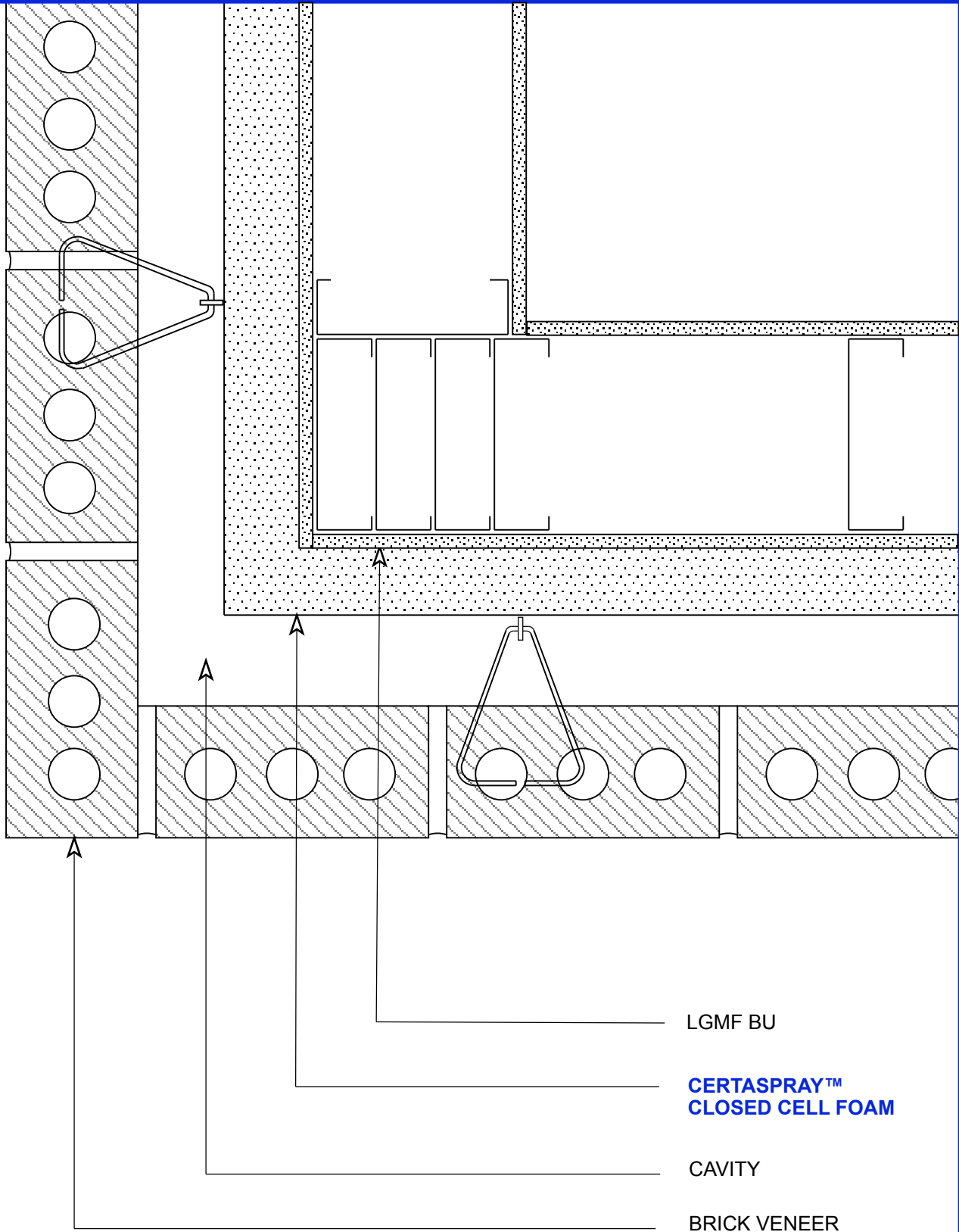
SKETCH: CERTASPRAY™  
EXTERNAL CORNER  
CMU BU

**CertainTeed**

1400 Union Meeting Road Blue Bell, PA 19422  
T 610-341-6712 F 610-341-6773  
www.certainteed.com

SKETCH NO: SK-23

DATE: 4/22/09

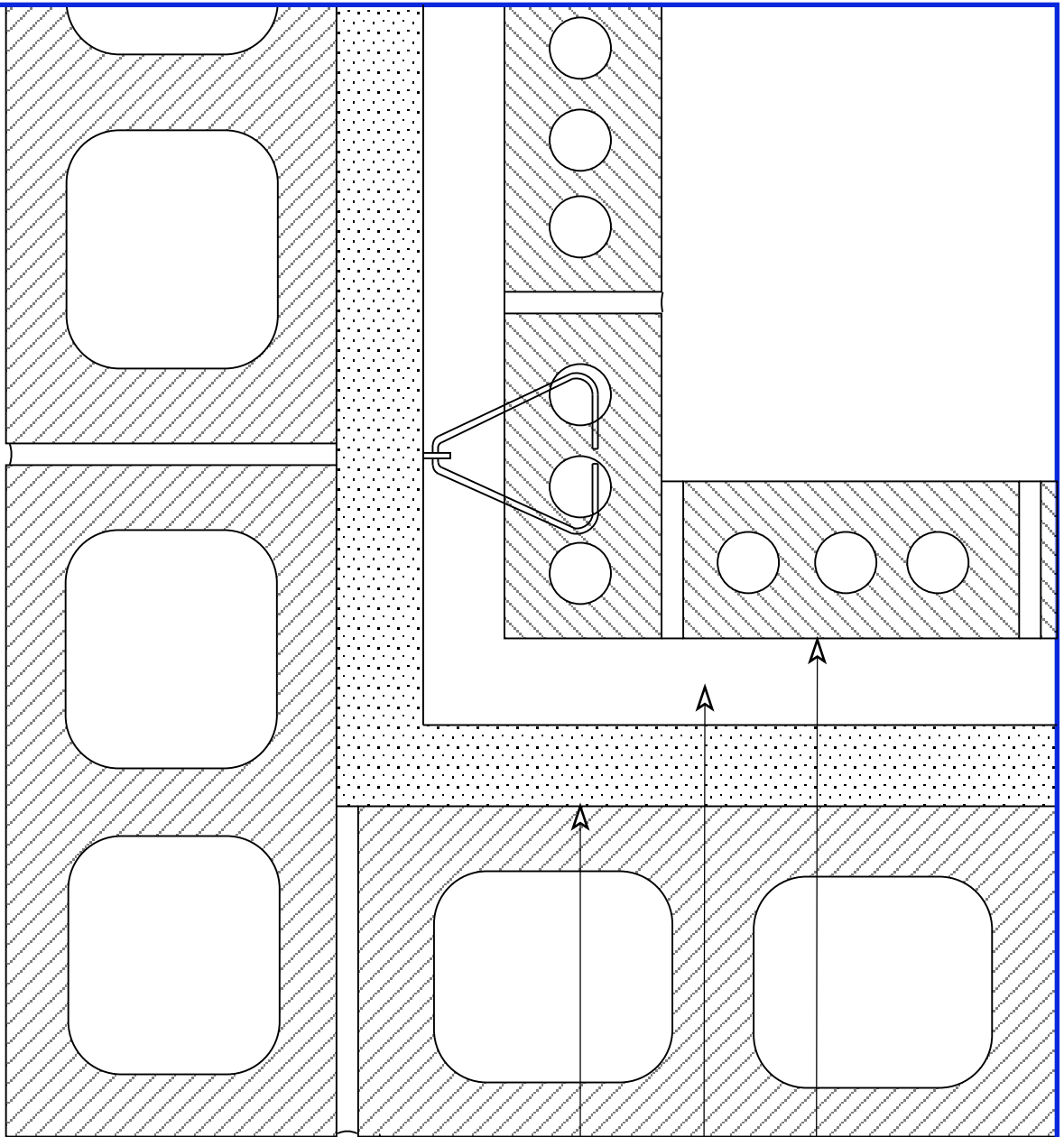


SKETCH: CERTASPRAY™  
EXTERNAL CORNER  
LGMF BU

**CertainTeed**  
1400 Union Meeting Road Blue Bell, PA 19422  
T 610-341-6712 F 610-341-6773  
www.certainteed.com

SKETCH NO: SK-24

DATE: 4/22/09



CMU BU

**CERTASPRAY™**  
**CLOSED CELL FOAM**

CAVITY

BRICK VENEER

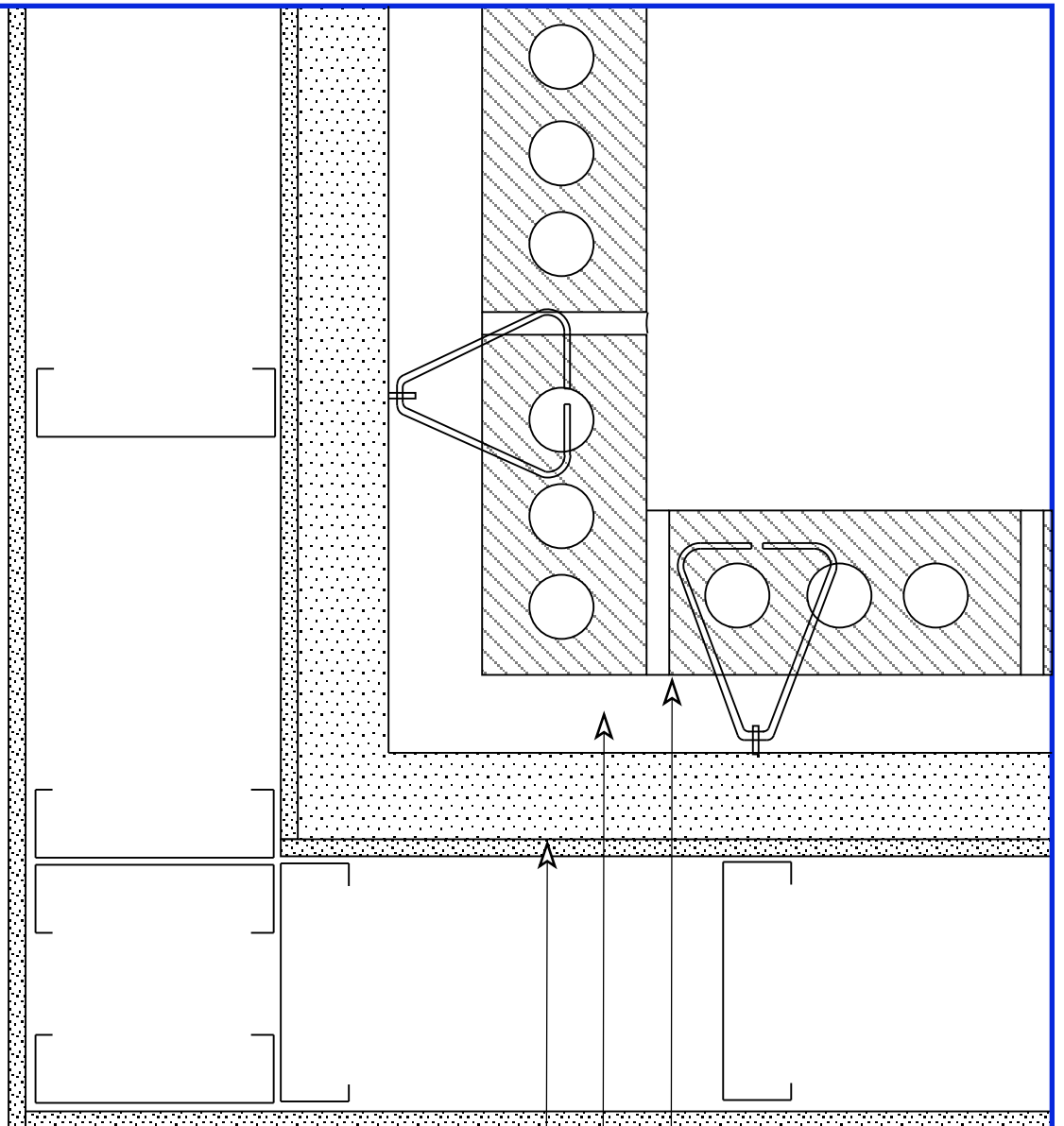
SKETCH: CERTASPRAY™  
INTERNAL CORNER  
CMU BU

**CertainTeed**

1400 Union Meeting Road Blue Bell, PA 19422  
T 610-341-6712 F 610-341-6773  
www.certainteed.com

SKETCH NO: SK-25

DATE: 4/22/09



LGMF BU

**CERTASPRAY™  
CLOSED CELL FOAM**

CAVITY

BRICK VENEER

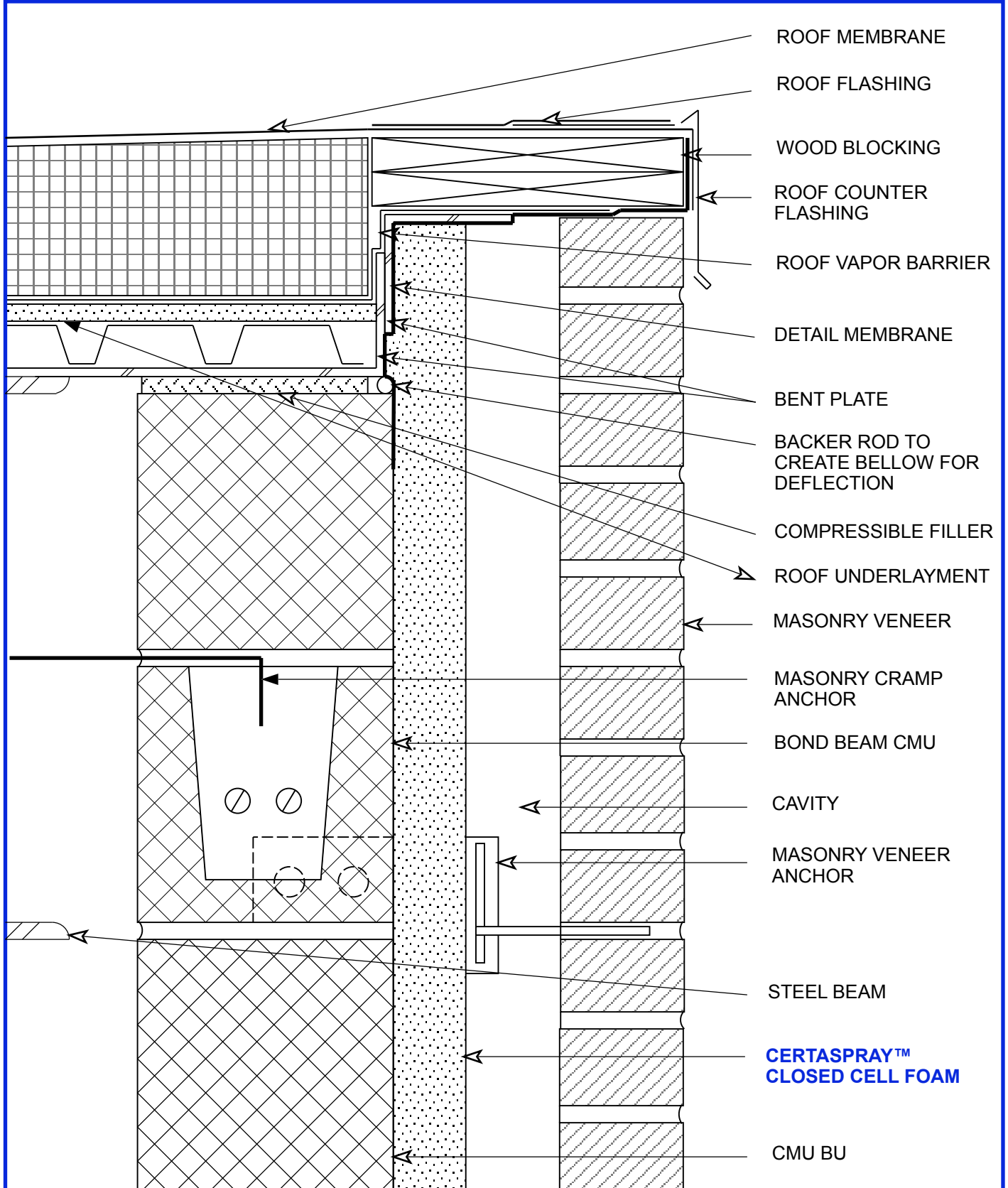
SKETCH: CERTASPRAY™  
INTERNAL CORNER  
LGMF BU

**CertainTeed**

1400 Union Meeting Road Blue Bell, PA 19422  
T 610-341-6712 F 610-341-6773  
www.certainteed.com

SKETCH NO: SK-26

DATE: 4/22/09



- ROOF MEMBRANE
- ROOF FLASHING
- WOOD BLOCKING
- ROOF COUNTER FLASHING
- ROOF VAPOR BARRIER
- DETAIL MEMBRANE
- BENT PLATE
- BACKER ROD TO CREATE BELLOW FOR DEFLECTION
- COMPRESSIBLE FILLER
- ROOF UNDERLAYMENT
- MASONRY VENEER
- MASONRY CRAMP ANCHOR
- BOND BEAM CMU
- CAVITY
- MASONRY VENEER ANCHOR
- STEEL BEAM
- CERTASPRAY™  
CLOSED CELL FOAM**
- CMU BU

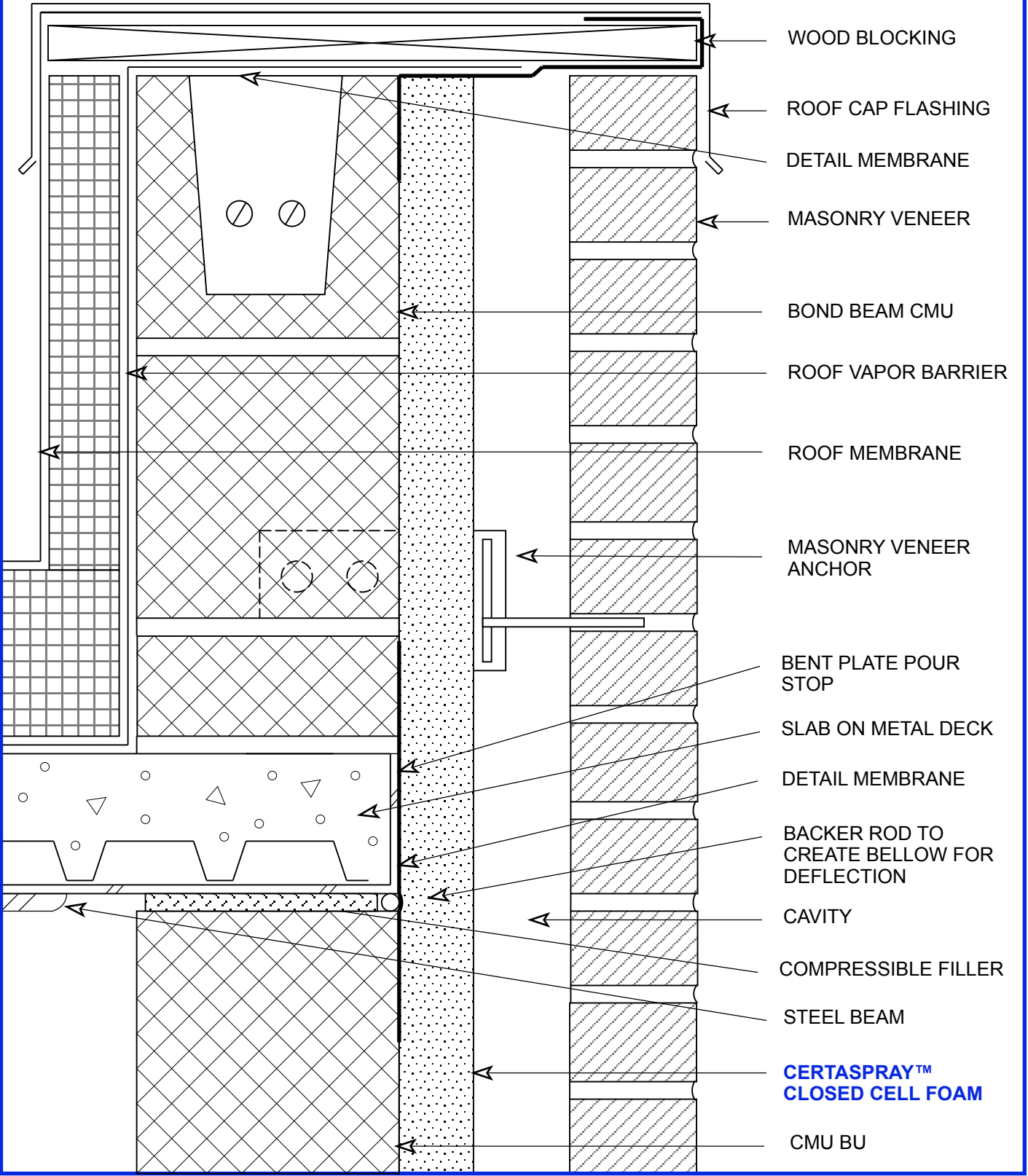
SKETCH: CERTASPRAY™  
ROOF DETAIL 1  
CMU BU

**CertainTeed**

1400 Union Meeting Road Blue Bell, PA 19422  
T 610-341-6712 F 610-341-6773  
[www.certainteed.com](http://www.certainteed.com)

SKETCH NO: SK-27

DATE: 4/22/09



SKETCH: CERTASPRAY™  
ROOF DETAIL 2  
CMU BU

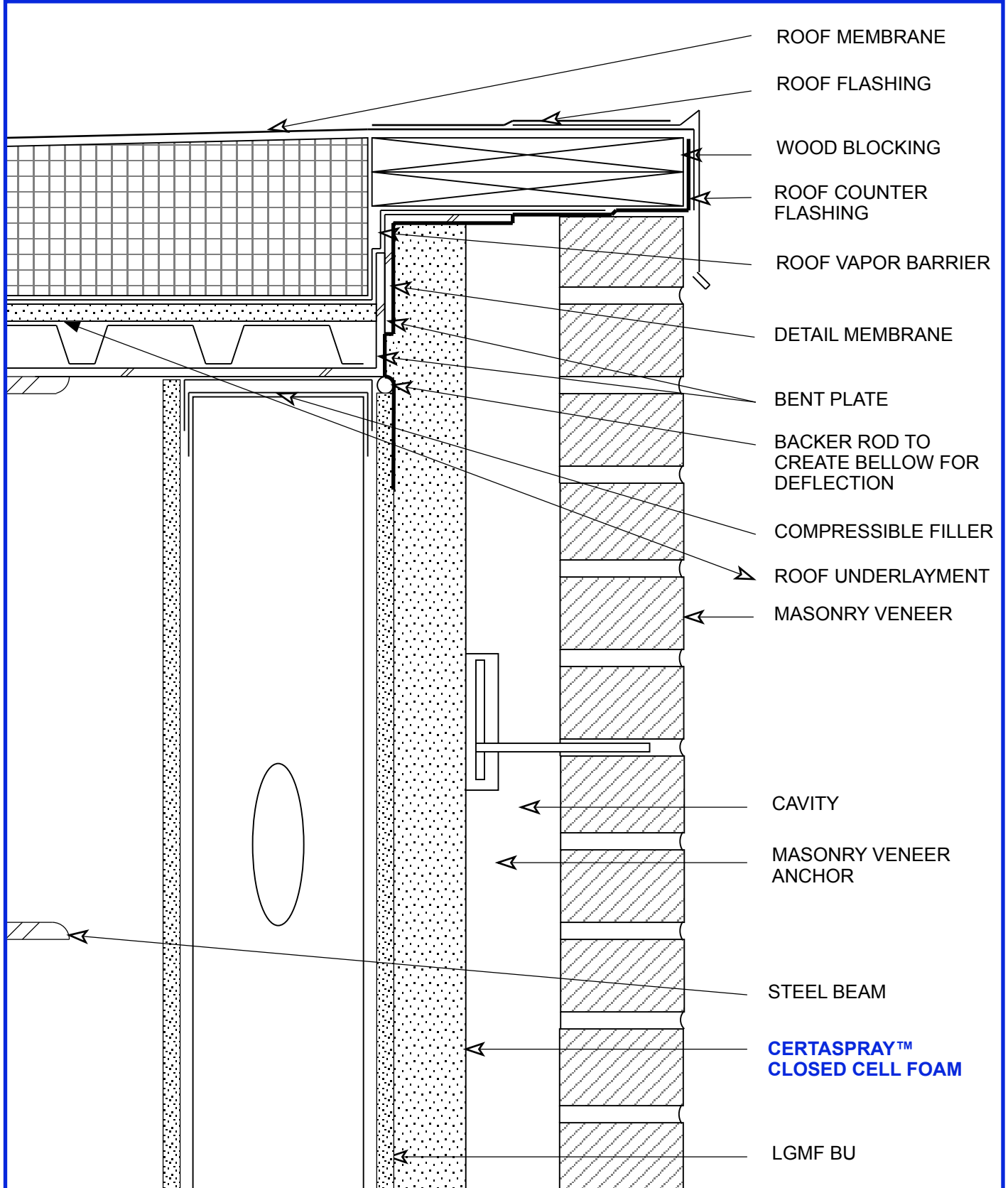
**CertainTeed**

1400 Union Meeting Road Blue Bell, PA 19422  
T 610-341-6712 F 610-341-6773  
www.certainteed.com

SKETCH NO: SK-28

DATE: 4/22/09





- ROOF MEMBRANE
- ROOF FLASHING
- WOOD BLOCKING
- ROOF COUNTER FLASHING
- ROOF VAPOR BARRIER
- DETAIL MEMBRANE
- BENT PLATE
- BACKER ROD TO CREATE BELLOW FOR DEFLECTION
- COMPRESSIBLE FILLER
- ROOF UNDERLAYMENT
- MASONRY VENEER
- CAVITY
- MASONRY VENEER ANCHOR
- STEEL BEAM
- CERTASPRAY™  
CLOSED CELL FOAM**
- LGMF BU

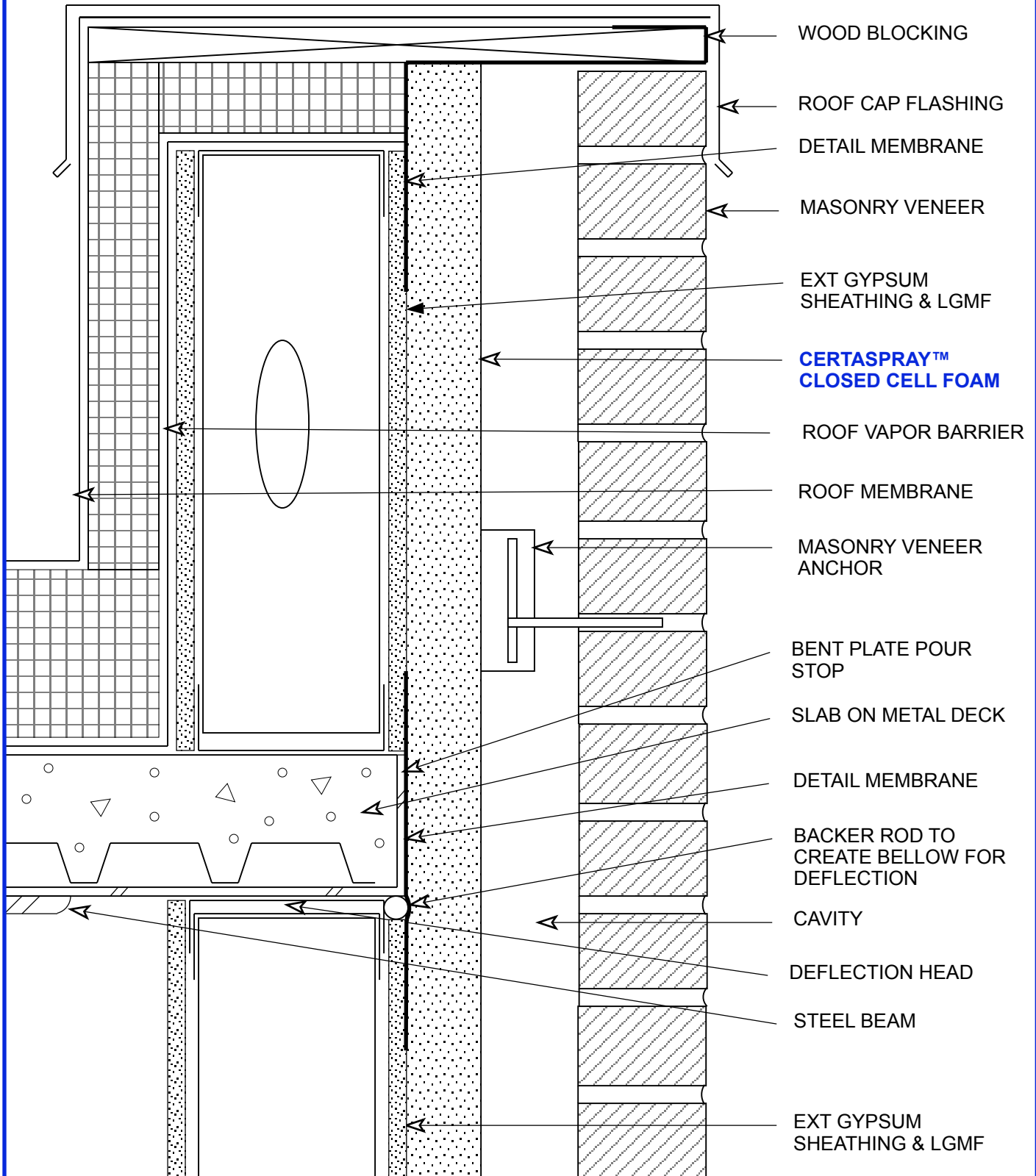
SKETCH: CERTASPRAY™  
ROOF DETAIL 1  
LGMF BU

**CertainTeed**

1400 Union Meeting Road Blue Bell, PA 19422  
T 610-341-6712 F 610-341-6773  
[www.certainteed.com](http://www.certainteed.com)

SKETCH NO: SK-29

DATE: 4/22/09



SKETCH: CERTASPRAY™  
 ROOF DETAIL 2  
 LGMF BU



1400 Union Meeting Road Blue Bell, PA 19422  
 T 610-341-6712 F 610-341-6773  
 www.certainteed.com

SKETCH NO: SK-30

DATE: 4/22/09