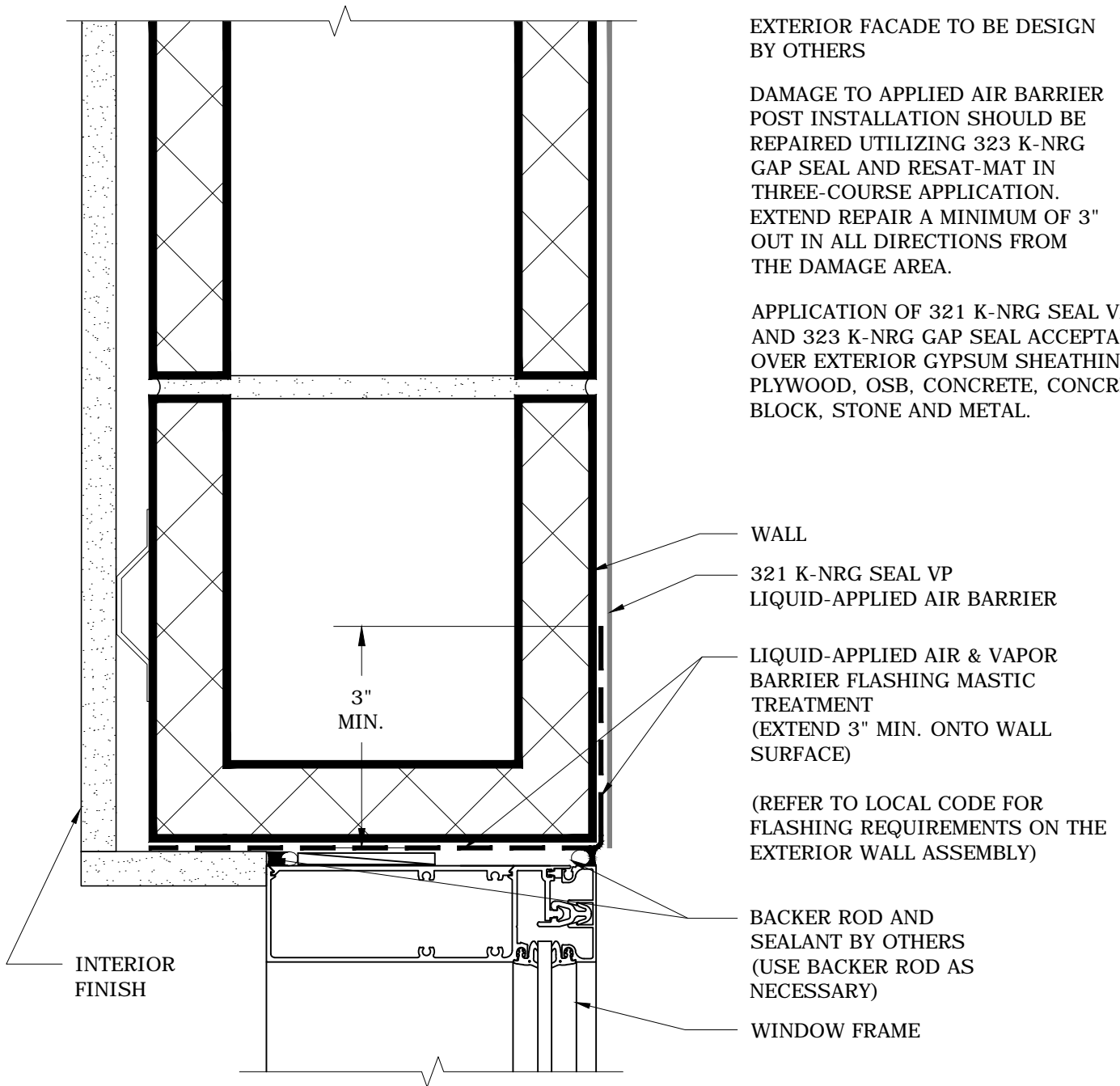


NOTES:  
 LIQUID APPLIED-AIR & VAPOR  
 BARRIER MASTIC FLASHING  
 TREATMENT CONSIST OF  
 A THREE-COURSE APPLICATION  
 OF 323 K-NRG GAP SEAL FR  
 AND RESAT-MAT.

EXTERIOR FACADE TO BE DESIGN  
 BY OTHERS

DAMAGE TO APPLIED AIR BARRIER  
 POST INSTALLATION SHOULD BE  
 REPAIRED UTILIZING 323 K-NRG  
 GAP SEAL AND RESAT-MAT IN  
 THREE-COURSE APPLICATION.  
 EXTEND REPAIR A MINIMUM OF 3"  
 OUT IN ALL DIRECTIONS FROM  
 THE DAMAGE AREA.

APPLICATION OF 321 K-NRG SEAL VP  
 AND 323 K-NRG GAP SEAL ACCEPTABLE  
 OVER EXTERIOR GYPSUM SHEATHING,  
 PLYWOOD, OSB, CONCRETE, CONCRETE  
 BLOCK, STONE AND METAL.



WALL

321 K-NRG SEAL VP  
 LIQUID-APPLIED AIR BARRIER

LIQUID-APPLIED AIR & VAPOR  
 BARRIER FLASHING MASTIC  
 TREATMENT  
 (EXTEND 3" MIN. ONTO WALL  
 SURFACE)

(REFER TO LOCAL CODE FOR  
 FLASHING REQUIREMENTS ON THE  
 EXTERIOR WALL ASSEMBLY)

BACKER ROD AND  
 SEALANT BY OTHERS  
 (USE BACKER ROD AS  
 NECESSARY)

WINDOW FRAME

INTERIOR  
 FINISH

3"  
 MIN.

## STOREFRONT WINDOW HEAD

SCALE: N.T.S.

**KARNAK**  
 CORPORATION  
 THE SEAL OF QUALITY

KARNAK CORPORATION  
 THE SEAL OF QUALITY  
 330 Central Avenue, Clark, NJ. 07066  
 Phone: (732) 388-0300, (800) 526-4236  
 Fax: (732) 388-9422  
 www.karnakcorp.com

The architectural design  
 professional to review all  
 waterproofing documents.  
 The waterproofing procedures are  
 not to be used for permit purposes.  
 These waterproofing procedures  
 are not specifications, complete  
 plans.  
 Contact a design professional prior  
 to performing major waterproofing  
 changes or repairs.

Detail:

STOREFRONT WINDOW HEAD

Job:  
 Date: 7/23/2017  
 Dwn: H.M.K

Drawing Number:  
 K-100

**NOTES:**

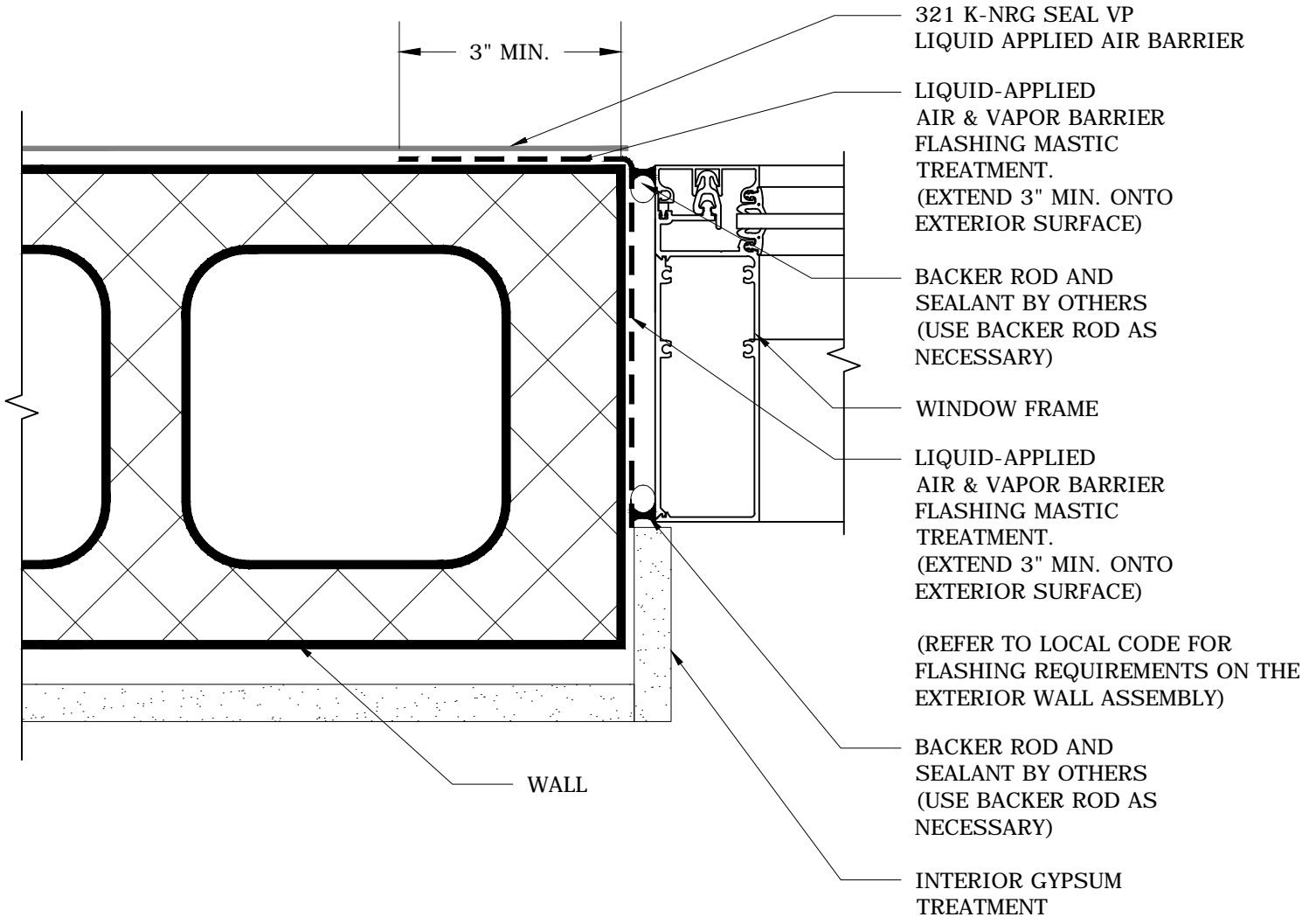
LIQUID APPLIED-AIR & VAPOR BARRIER BARRIER MASTIC FLASHING TREATMENT CONSIST OF A THREE-COURSE APPLICATION OF 323 K-NRG GAP SEAL FR AND RESAT-MAT.

EXTERIOR FACADE TO BE DESIGN BY OTHERS

DAMAGE TO APPLIED AIR BARRIER POST INSTALLATION SHOULD BE REPAIRED UTILIZING 323 K-NRG GAP SEAL AND RESAT-MAT IN THREE-COURSE APPLICATION. EXTEND REPAIR A MINIMUM OF 3" OUT IN ALL DIRECTIONS FROM THE DAMAGE AREA.

APPLICATION OF 321 K-NRG SEAL VP AND 323 K-NRG GAP SEAL ACCEPTABLE OVER EXTERIOR GYPSUM SHEATHING, PLYWOOD, OSB, CONCRETE, CONCRETE BLOCK, STONE AND METAL.

SPECIFIC METHODS OF CONNECTION OF AIR AND VAPOR BARRIER TO WINDOW OR DOOR SYSTEM SHOULD BE CONFIRMED WITH WINDOW OR DOOR MANUFACTURER.



**STOREFRONT WINDOW JAMB**

SCALE: N.T.S.



**KARNAK CORPORATION**  
**THE SEAL OF QUALITY**  
 330 Central Avenue, Clark, NJ. 07066  
 Phone: (732) 388-0300, (800) 526-4236  
 Fax: (732) 388-9422  
 www.karnakcorp.com

The architectural design professional to review all waterproofing documents. The waterproofing procedures are not to be used for permit purposes. These waterproofing procedures are not specifications, complete plans.  
 Contact a design professional prior to performing major waterproofing changes or repairs.

Detail:  
 STOREFRONT WINDOW JAMB

Job:	
Date:	7/23/2017
Dwn:	H.M.K

Drawing Number:  
**K-101**

**NOTES:**

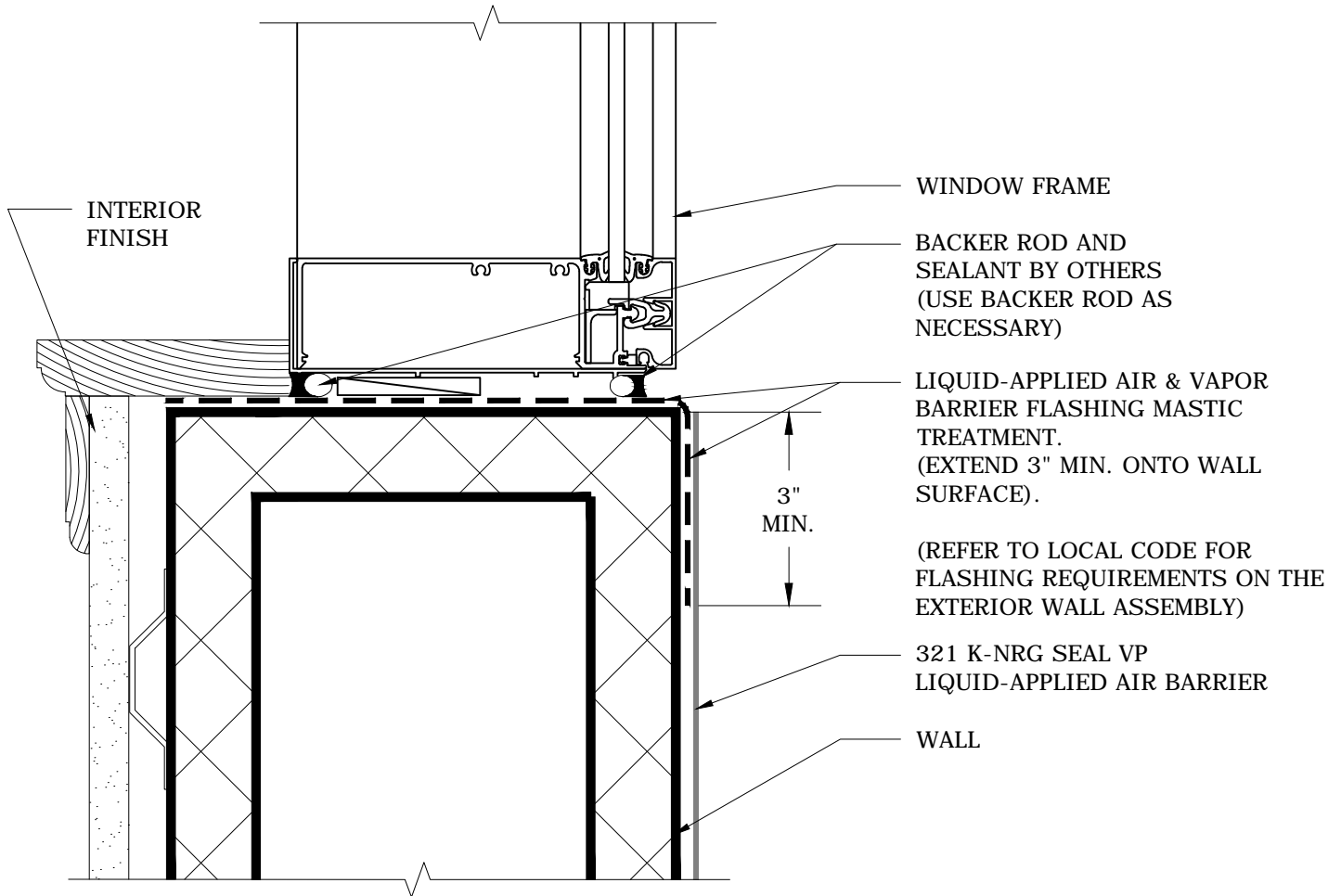
LIQUID APPLIED-AIR & VAPOR BARRIER MASTIC FLASHING TREATMENT CONSIST OF A THREE-COURSE APPLICATION OF 323 K-NRG GAP SEAL FR AND RESAT-MAT.

EXTERIOR FACADE TO BE DESIGN BY OTHERS

DAMAGE TO APPLIED AIR BARRIER POST INSTALLATION SHOULD BE REPAIRED UTILIZING 323 K-NRG GAP SEAL AND RESAT-MAT IN THREE-COURSE APPLICATION. EXTEND REPAIR A MINIMUM OF 3" OUT IN ALL DIRECTIONS FROM THE DAMAGE AREA.

APPLICATION OF 321 K-NRG SEAL VP AND 323 K-NRG GAP SEAL ACCEPTABLE OVER EXTERIOR GYPSUM SHEATHING, PLYWOOD, OSB, CONCRETE, CONCRETE BLOCK, STONE AND METAL.

SPECIFIC METHODS OF CONNECTION OF AIR AND VAPOR BARRIER TO WINDOW OR DOOR SYSTEM SHOULD BE CONFIRMED WITH WINDOW OR DOOR MANUFACTURER.



**STOREFRONT WINDOW SILL**

SCALE: N.T.S.



**KARNAK CORPORATION**  
**THE SEAL OF QUALITY**  
 330 Central Avenue, Clark, NJ. 07066  
 Phone: (732) 388-0300, (800) 526-4236  
 Fax: (732) 388-9422  
 www.karnakcorp.com

The architectural design professional to review all waterproofing documents. The waterproofing procedures are not to be used for permit purposes. These waterproofing procedures are not specifications, complete plans.  
 Contact a design professional prior to performing major waterproofing changes or repairs.

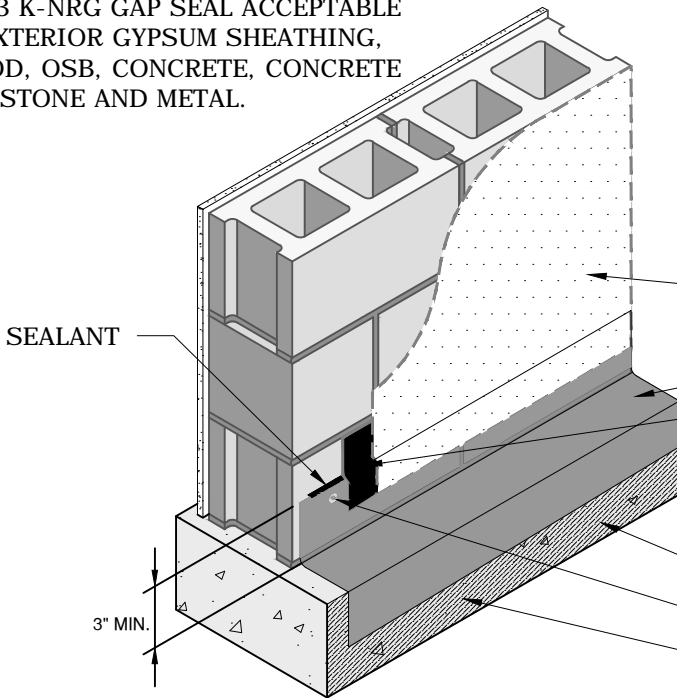
Detail:  
 STOREFRONT WINDOW SILL

Job:	
Date:	7/23/2017
Dwn:	H.M.K

Drawing Number:  
**K-102**

**NOTE:**

APPLICATION OF 321 K-NRG SEAL VP AND 323 K-NRG GAP SEAL ACCEPTABLE OVER EXTERIOR GYPSUM SHEATHING, PLYWOOD, OSB, CONCRETE, CONCRETE BLOCK, STONE AND METAL.

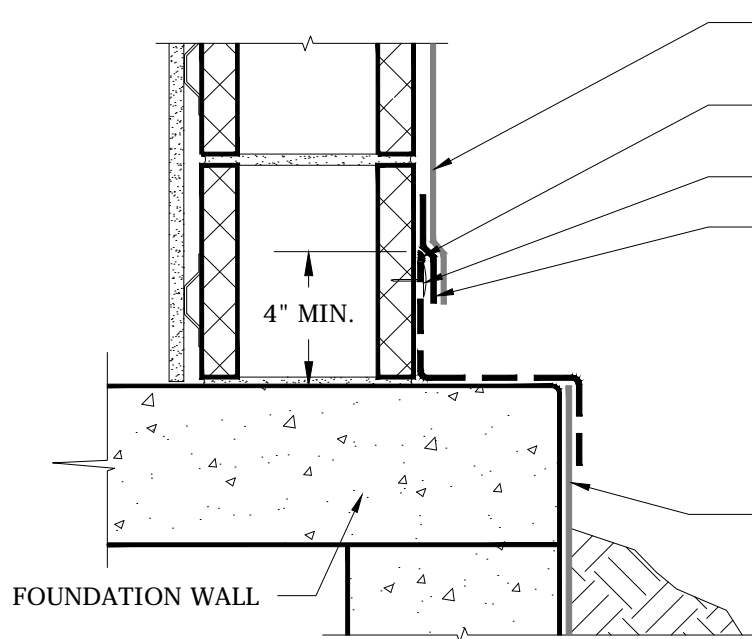


**NOTE:**

LIQUID APPLIED-AIR & VAPOR BARRIER MASTIC FLASHING TREATMENT CONSIST OF A THREE-COURSE APPLICATION OF 323 K-NRG GAP SEAL FR AND RESAT-MAT.

EXTERIOR FACADE TO BE DESIGN BY OTHERS.

- 321 K-NRG SEAL VP LIQUID-APPLIED AIR BARRIER
- SHEET WALL FLASHING
- LIQUID APPLIED AIR & VAPOR BARRIER MASTIC FLASHING SYSTEM TO EXTEND 3" ABOVE SEALANT AND 3" BELOW OVER TOP OF THRU-WALL FLASHING.
- FOUNDATION WALL
- MECHANICAL FASTENER
- DAMP PROOFING/WATERPROOFING



- 321 K-NRG SEAL VP LIQUID-APPLIED AIR BARRIER
- SEALANT FOR TOP OF TERMINATION BAR
- MECHANICAL FASTENER
- LIQUID APPLIED AIR & VAPOR BARRIER MASTIC FLASHING SYSTEM TO EXTEND 3" ABOVE SEALANT AND 3" BELOW OVER TOP OF THRU-WALL FLASHING.

(REFER TO LOCAL CODE FOR FLASHING REQUIREMENTS ON THE EXTERIOR ASSEMBLY)

- DAMP PROOFING/WATERPROOFING

**NOTE:**

DAMAGE TO APPLIED AIR BARRIER POST INSTALLATION SHOULD BE REPAIRED UTILIZING 323 K-NRG GAP SEAL AND RESAT-MAT IN THREE-COURSE APPLICATION. EXTEND REPAIR A MINIMUM OF 3" OUT IN ALL DIRECTIONS FROM THE DAMAGE AREA.

**BASE OF WALL DETAIL**

SCALE: N.T.S.



**KARNAK CORPORATION**  
THE SEAL OF QUALITY  
330 Central Avenue, Clark, NJ. 07066  
Phone: (732) 388-0300, (800) 526-4236  
Fax: (732) 388-9422  
www.karnakcorp.com

The architectural design professional to review all waterproofing documents. The waterproofing procedures are not to be used for permit purposes. These waterproofing procedures are not specifications, complete plans.  
Contact a design professional prior to performing major waterproofing changes or repairs.

Detail:  
BASE OF WALL DETAIL

Job:  
Date: 7/23/2017  
Dwn: H.M.K

Drawing Number:  
K-103

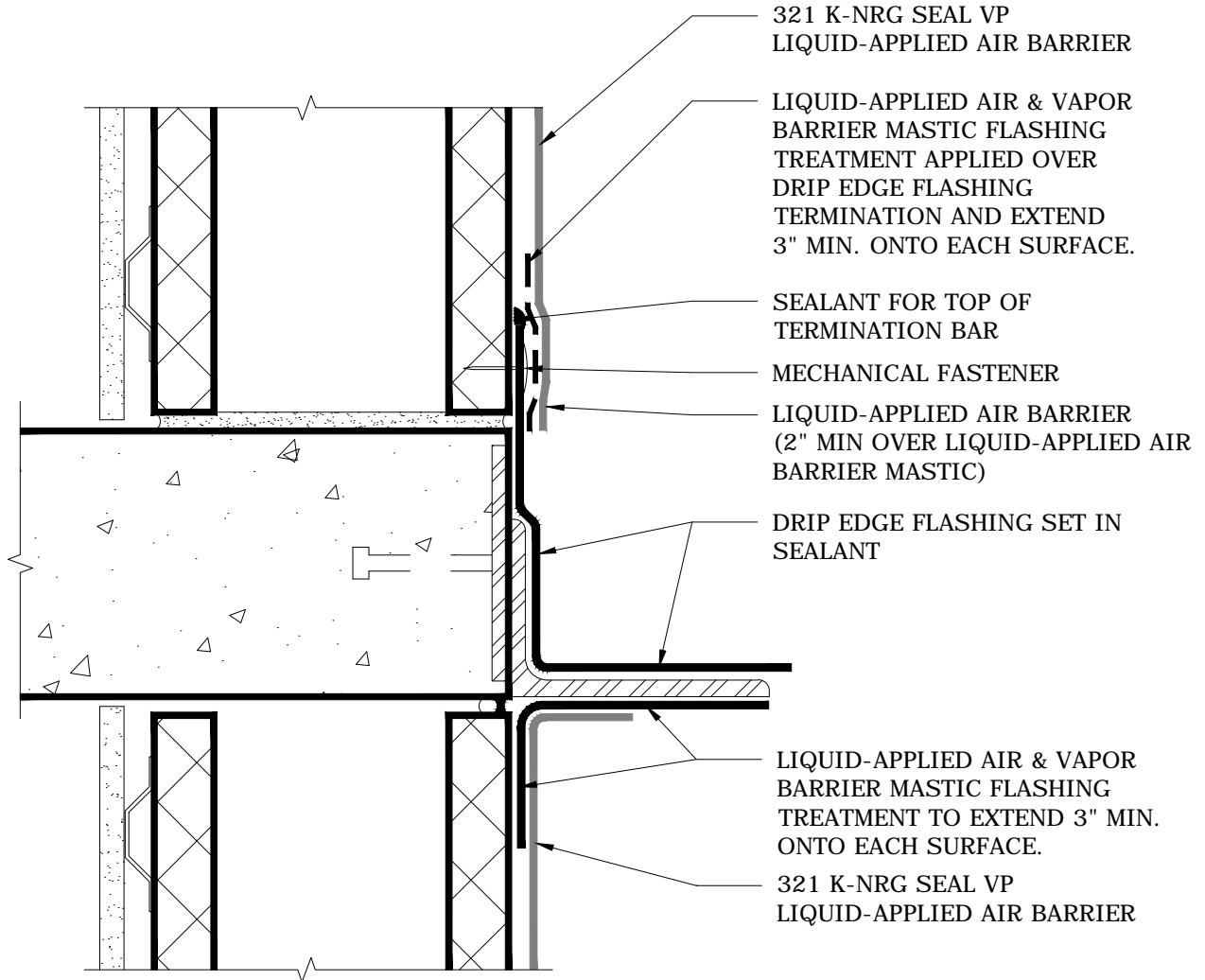
**NOTES:**

LIQUID APPLIED-AIR & VAPOR BARRIER MASTIC FLASHING TREATMENT CONSIST OF A THREE-COURSE APPLICATION OF 323 K-NRG GAP SEAL FR AND RESAT-MAT.

EXTERIOR FACADE TO BE DESIGN BY OTHERS

DAMAGE TO APPLIED AIR BARRIER POST INSTALLATION SHOULD BE REPAIRED UTILIZING 323 K-NRG GAP SEAL AND RESAT-MAT IN THREE-COURSE APPLICATION. EXTEND REPAIR A MINIMUM OF 3" OUT IN ALL DIRECTIONS FROM THE DAMAGE AREA.

APPLICATION OF 321 K-NRG SEAL VP AND 323 K-NRG GAP SEAL ACCEPTABLE OVER EXTERIOR GYPSUM SHEATHING, PLYWOOD, OSB, CONCRETE, CONCRETE BLOCK, STONE AND METAL.



**SHELF ANGLE DETAIL**

SCALE: N.T.S.



**KARNAK CORPORATION**  
**THE SEAL OF QUALITY**  
 330 Central Avenue, Clark, NJ. 07066  
 Phone: (732) 388-0300, (800) 526-4236  
 Fax: (732) 388-9422  
 www.karnakcorp.com

The architectural design professional to review all waterproofing documents. The waterproofing procedures are not to be used for permit purposes. These waterproofing procedures are not specifications, complete plans.  
 Contact a design professional prior to performing major waterproofing changes or repairs.

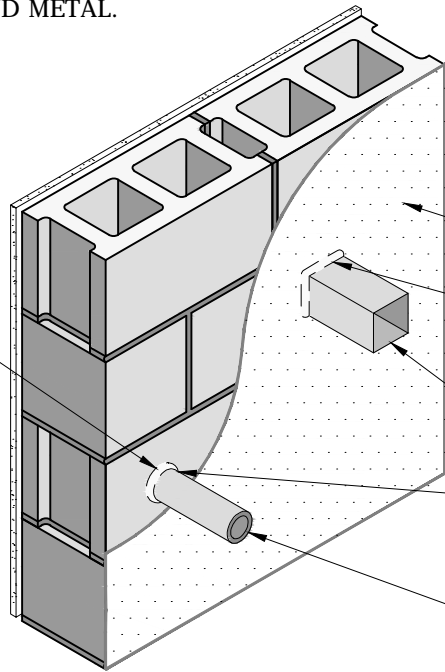
Detail:  
 SHELF ANGLE DETAIL

Job:	
Date:	7/23/2017
Dwn:	H.M.K

Drawing Number:  
**K-104**

**NOTE:**

APPLICATION OF 321 K-NRG SEAL VP AND 323 K-NRG GAP SEAL ACCEPTABLE OVER EXTERIOR GYPSUM SHEATHING, PLYWOOD, OSB, CONCRETE, CONCRETE BLOCK, STONE AND METAL.

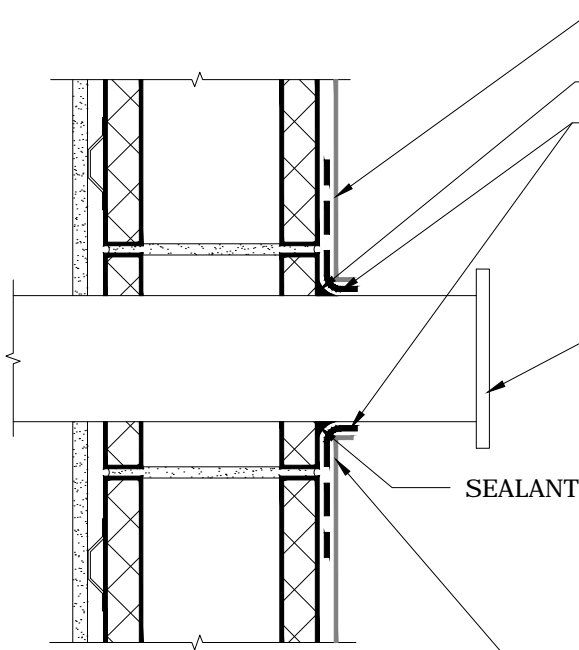


**NOTE:**

LIQUID APPLIED-AIR & VAPOR BARRIER MASTIC FLASHING TREATMENT CONSIST OF A THREE-COURSE APPLICATION OF 323 K-NRG GAP SEAL FR AND RESAT-MAT.

EXTERIOR FACADE TO BE DESIGN BY OTHERS.

- 321 K-NRG SEAL VP LIQUID APPLIED AIR BARRIER
- FLUID-APPLIED AIR & VAPOR BARRIER MASTIC FLASHING TREATMENT (4" ON WALL-2" ONTO PENETRATION SURFACE)
- DUCT PENETRATION
- FLUID-APPLIED AIR & VAPOR BARRIER MASTIC FLASHING TREATMENT (4" ON WALL-2" ONTO PENETRATION SURFACE)
- PIPE PENETRATION



- 321 K-NRG SEAL VP LIQUID-APPLIED AIR BARRIER
- SEALANT
- LIQUID-APPLIED AIR & VAPOR BARRIER MASTIC FLASHING TREATMENT (4" ON WALL-2" ONTO PENETRATION SURFACE).
- (REFER TO LOCAL CODE FOR FLASHING REQUIREMENTS ON THE EXTERIOR ASSEMBLY).
- PENETRATION

**NOTE:**

DAMAGE TO APPLIED AIR BARRIER POST INSTALLATION SHOULD BE REPAIRED UTILIZING 323 K-NRG GAP SEAL AND RESAT-MAT IN THREE-COURSE APPLICATION. EXTEND REPAIR A MINIMUM OF 3" OUT IN ALL DIRECTIONS FROM THE DAMAGE AREA.

- 321 K-NRG SEAL VP LIQUID-APPLIED AIR BARRIER

**PENETRATION DETAIL**

SCALE: N.T.S.



**KARNAK CORPORATION**  
**THE SEAL OF QUALITY**  
 330 Central Avenue, Clark, NJ. 07066  
 Phone: (732) 388-0300, (800) 526-4236  
 Fax: (732) 388-9422  
 www.karnakcorp.com

The architectural design professional to review all waterproofing documents. The waterproofing procedures are not to be used for permit purposes. These waterproofing procedures are not specifications, complete plans. Contact a design professional prior to performing major waterproofing changes or repairs.

Detail:  
 PENETRATION DETAIL

Job:	
Date:	7/23/2017
Dwn:	H.M.K

Drawing Number:  
**K-105**

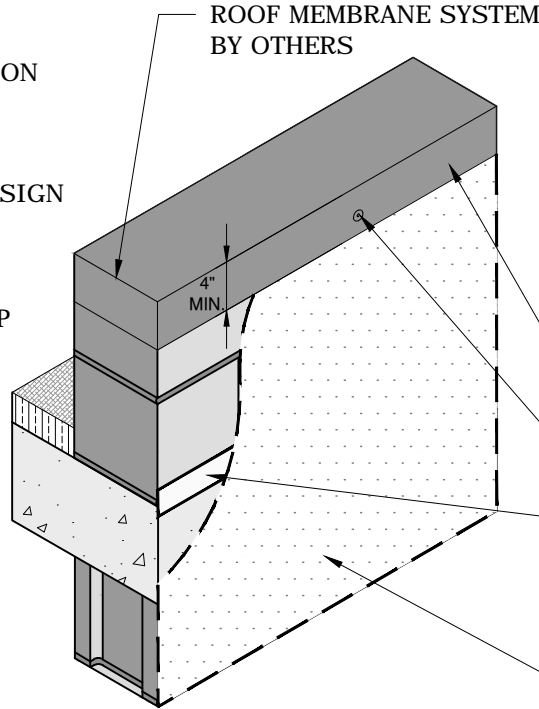


**NOTES:**

LIQUID APPLIED-AIR & VAPOR BARRIER MASTIC FLASHING TREATMENT CONSIST OF A THREE-COURSE APPLICATION OF 323 K-NRG GAP SEAL FR AND RESAT-MAT.

EXTERIOR FACADE TO BE DESIGN BY OTHERS

APPLICATION OF 321 K-NRG SEAL VP AND 323 K-NRG GAP SEAL ACCEPTABLE OVER EXTERIOR GYPSUM SHEATHING, PLYWOOD, OSB, CONCRETE, CONCRETE BLOCK, STONE AND METAL.



**NOTE:**

DAMAGE TO APPLIED AIR BARRIER POST INSTALLATION SHOULD BE REPAIRED UTILIZING 323 K-NRG GAP SEAL AND RESAT-MAT IN THREE-COURSE APPLICATION. EXTEND REPAIR A MINIMUM OF 3" OUT IN ALL DIRECTIONS FROM THE DAMAGE AREA.

ROOF MEMBRANE CAP BY OTHERS

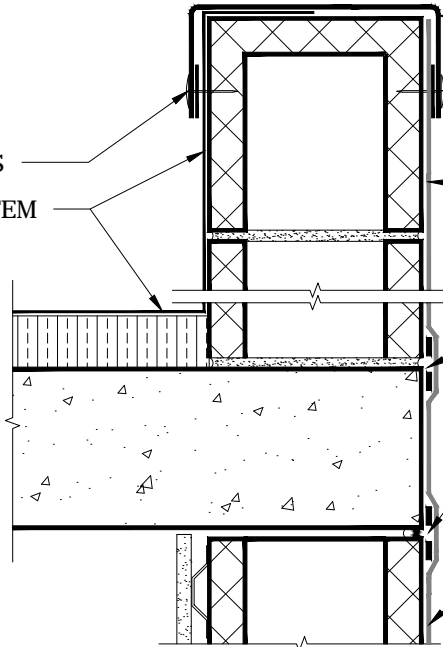
MECHANICAL FASTENERS

LIQUID-APPLIED AIR & VAPOR BARRIER MASTIC FLASHING TREATMENT. (TRANSITION TREATMENT 3" MIN. ONTO EACH SURFACE)

321 K-NRG SEAL VP LIQUID APPLIED AIR BARRIER

FASTENERS BY OTHERS

ROOF MEMBRANE SYSTEM BY OTHERS



ROOF MEMBRANE CAP BY OTHERS

MECHANICAL FASTENERS BY OTHERS

321 K-NRG SEAL VP LIQUID APPLIED AIR BARRIER

LIQUID-APPLIED AIR & VAPOR BARRIER MASTIC FLASHING TREATMENT. (TRANSITION TREATMENT 3" MIN. ONTO EACH SURFACE)

321 K-NRG SEAL VP LIQUID APPLIED AIR BARRIER

**NOTE:**

SPECIFIC METHODS OF CONNECTION OF AIR AND VAPOR BARRIER FOR ROOF SYSTEM TO BE VERIFIED WITH ROOF MANUFACTURER PRIOR TO INSTALLATION.

**PARAPET WALL DETAIL**

SCALE: N.T.S.



**KARNAK CORPORATION**  
**THE SEAL OF QUALITY**  
 330 Central Avenue, Clark, NJ. 07066  
 Phone: (732) 388-0300, (800) 526-4236  
 Fax: (732) 388-9422  
 www.karnakcorp.com

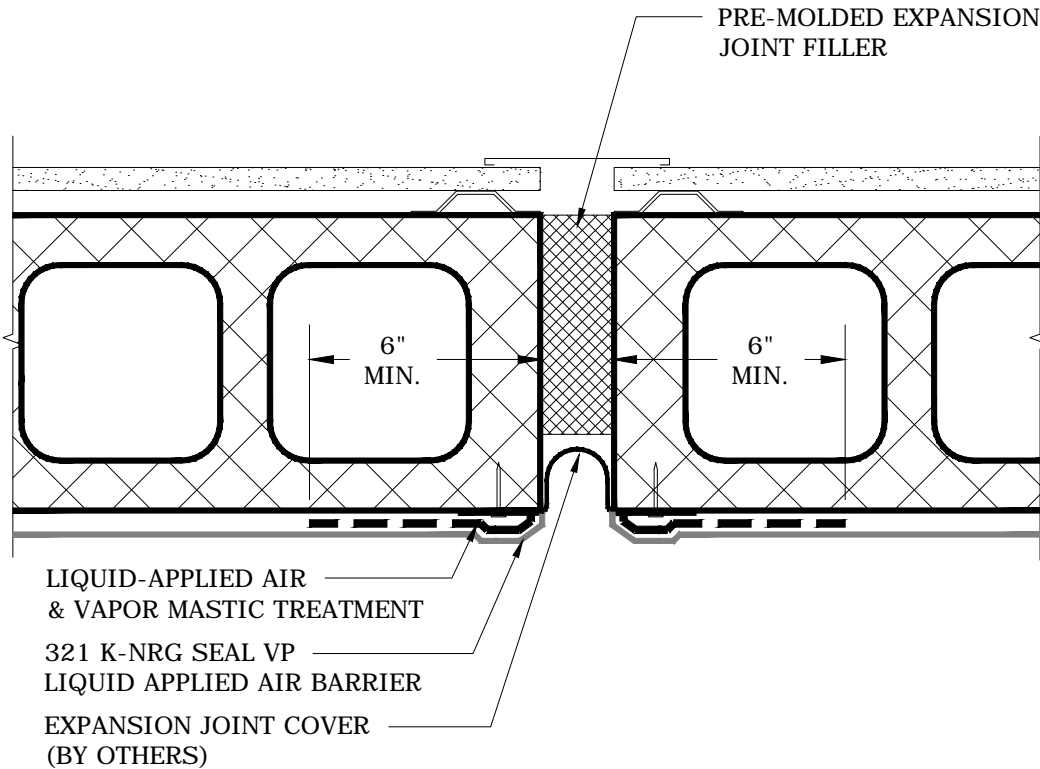
The architectural design professional to review all waterproofing documents. The waterproofing procedures are not to be used for permit purposes. These waterproofing procedures are not specifications, complete plans.  
 Contact a design professional prior to performing major waterproofing changes or repairs.

Detail:  
 PARAPET WALL DETAIL

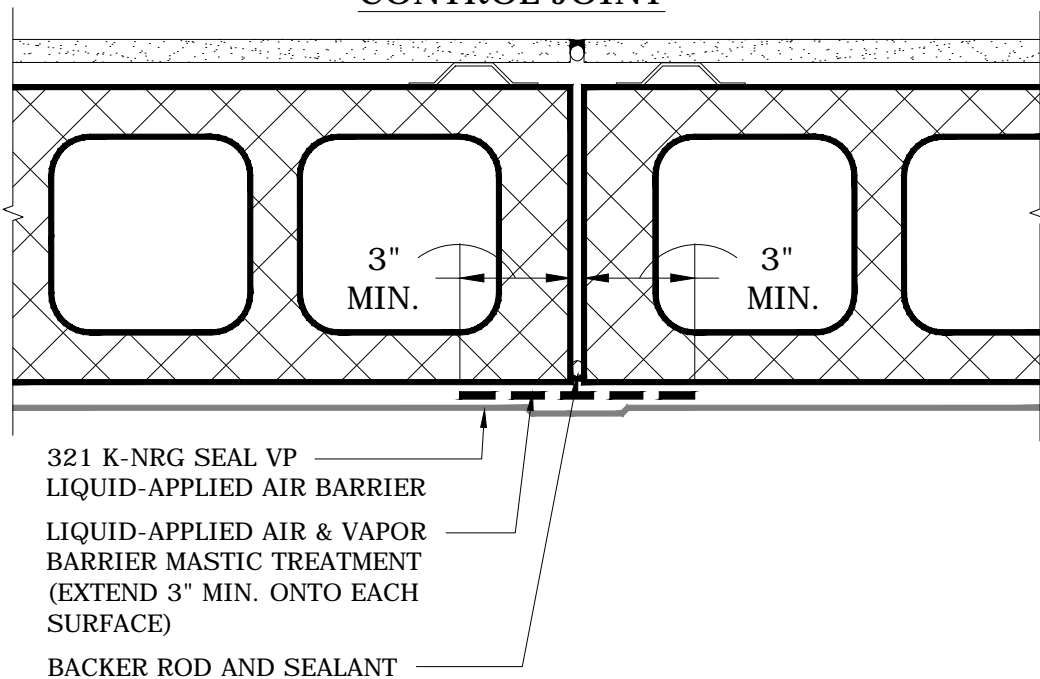
Job:  
 Date: 7/23/2017  
 Dwn: H.M.K

Drawing Number:  
 K-106

## EXPANSION JOINT



## CONTROL JOINT



**NOTES:**

LIQUID APPLIED-AIR & VAPOR BARRIER MASTIC FLASHING TREATMENT CONSIST OF A THREE-COURSE APPLICATION OF 323 K-NRG GAP SEAL FR AND RESAT-MAT.

EXTERIOR FACADE TO BE DESIGN BY OTHERS

DAMAGE TO APPLIED AIR BARRIER POST INSTALLATION SHOULD BE REPAIRED UTILIZING 323 K-NRG GAP SEAL AND RESAT-MAT IN THREE-COURSE APPLICATION. EXTEND REPAIR A MINIMUM OF 3" OUT IN ALL DIRECTIONS FROM THE DAMAGE AREA.

APPLICATION OF 321 K-NRG SEAL VP AND 323 K-NRG GAP SEAL ACCEPTABLE OVER EXTERIOR GYPSUM SHEATHING, PLYWOOD, OSB, CONCRETE, CONCRETE BLOCK, STONE AND METAL.

## EXPANSION JOINT/CONTROL JOINT

SCALE: N.T.S.



**KARNAK CORPORATION**  
**THE SEAL OF QUALITY**  
 330 Central Avenue, Clark, NJ. 07066  
 Phone: (732) 388-0300, (800) 526-4236  
 Fax: (732) 388-9422  
 www.karnakcorp.com

The architectural design professional to review all waterproofing documents. The waterproofing procedures are not to be used for permit purposes. These waterproofing procedures are not specifications, complete plans.  
 Contact a design professional prior to performing major waterproofing changes or repairs.

Detail:

EXPANSION JOINT/CONTROL JOINT

Job:	
Date:	7/23/2017
Dwn:	H.M.K

Drawing Number:  
**K-107**



**NOTES:**

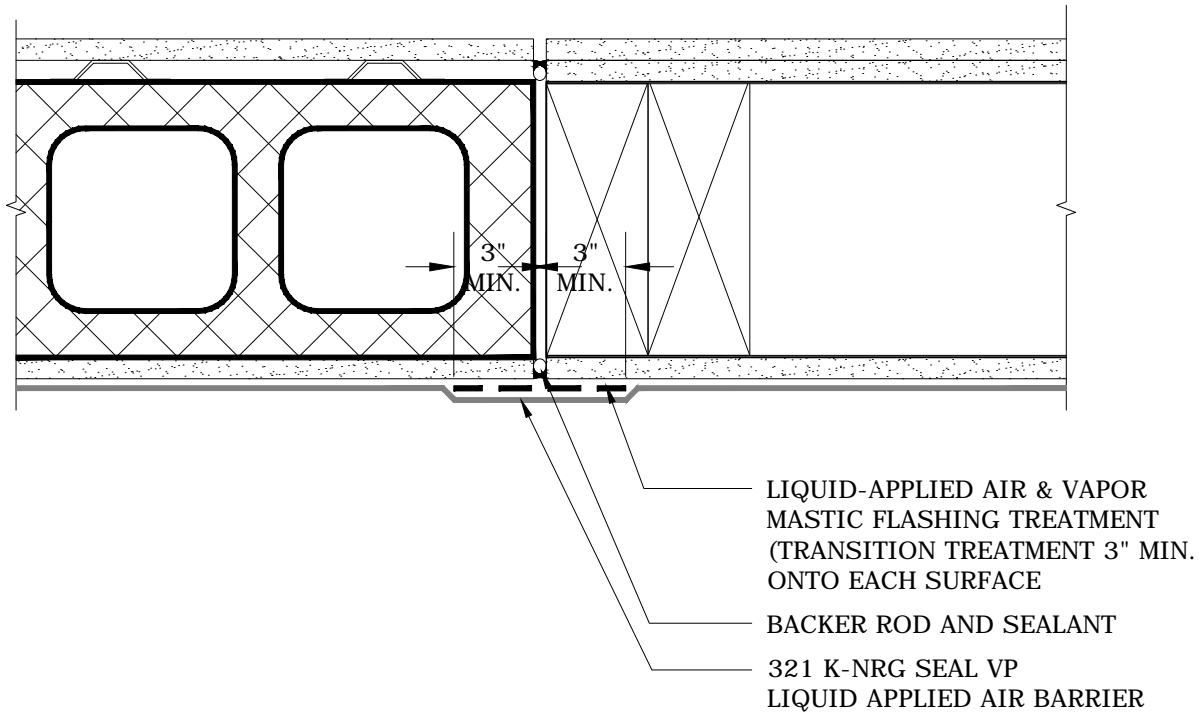
LIQUID APPLIED-AIR & VAPOR BARRIER MASTIC FLASHING TREATMENT CONSIST OF A THREE-COURSE APPLICATION OF 323 K-NRG GAP SEAL FR AND RESAT-MAT.

EXTERIOR FACADE TO BE DESIGN BY OTHERS

DAMAGE TO APPLIED AIR BARRIER POST INSTALLATION SHOULD BE REPAIRED UTILIZING 323 K-NRG GAP SEAL AND RESAT-MAT IN THREE-COURSE APPLICATION. EXTEND REPAIR A MINIMUM OF 3" OUT IN ALL DIRECTIONS FROM THE DAMAGE AREA.

APPLICATION OF 321 K-NRG SEAL VP AND 323 K-NRG GAP SEAL ACCEPTABLE OVER EXTERIOR GYPSUM SHEATHING, PLYWOOD, OSB, CONCRETE, CONCRETE BLOCK, STONE AND METAL.

**CONTROL JOINT**



**DISSIMILAR WALL TYPES**

SCALE: N.T.S.



**KARNAK CORPORATION**  
**THE SEAL OF QUALITY**  
 330 Central Avenue, Clark, NJ. 07066  
 Phone: (732) 388-0300, (800) 526-4236  
 Fax: (732) 388-9422  
 www.karnakcorp.com

The architectural design professional to review all waterproofing documents. The waterproofing procedures are not to be used for permit purposes. These waterproofing procedures are not specifications, complete plans.  
 Contact a design professional prior to performing major waterproofing changes or repairs.

Detail:  
 DISSIMILAR WALL TYPES

Job: \_\_\_\_\_  
 Date: 7/23/2017  
 Dwn: H.M.K

Drawing Number:  
**K-108**

**NOTES:**

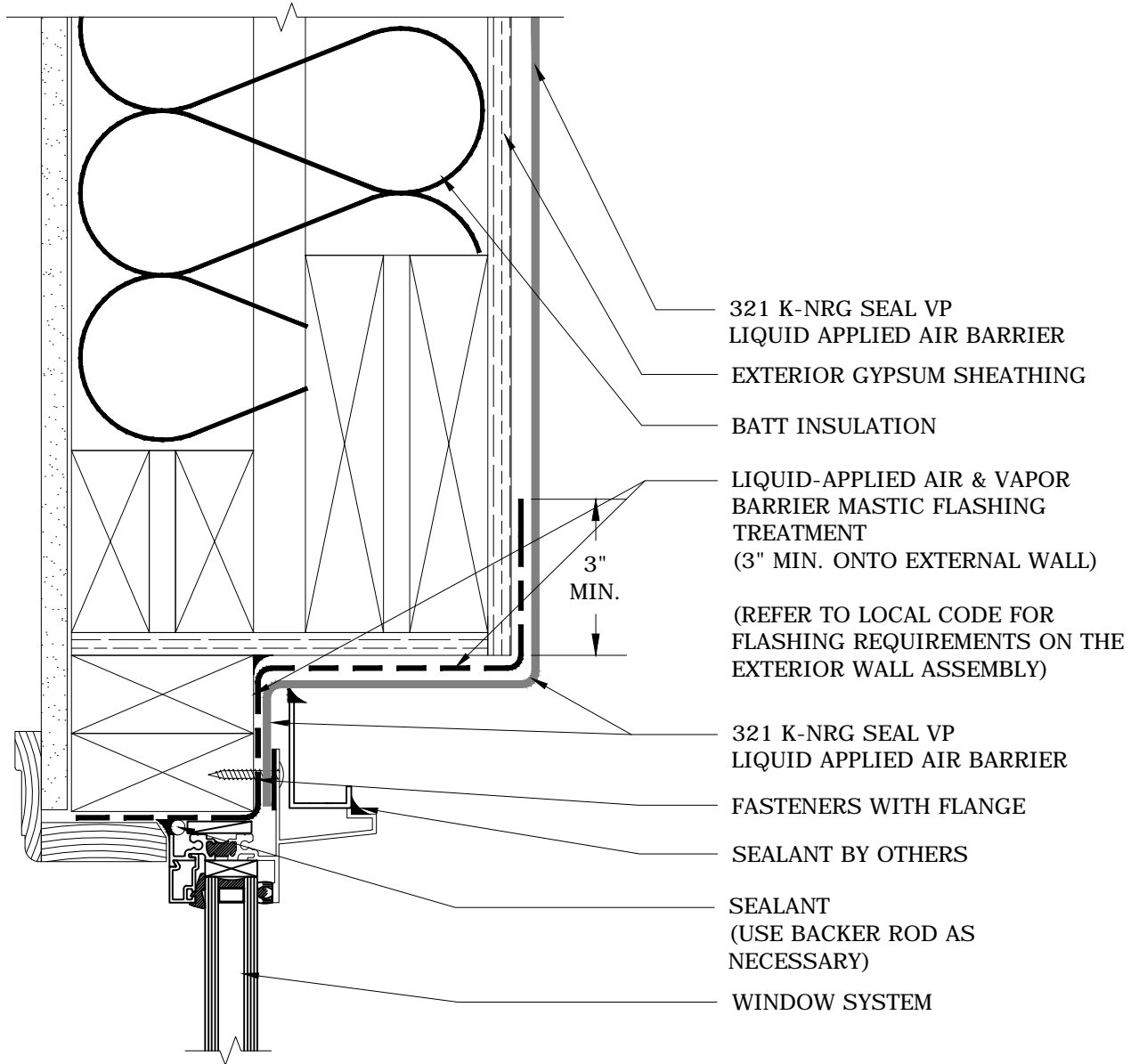
LIQUID APPLIED-AIR & VAPOR BARRIER MASTIC FLASHING TREATMENT CONSIST OF A THREE-COURSE APPLICATION OF 323 K-NRG GAP SEAL FR AND RESAT-MAT.

EXTERIOR FACADE TO BE DESIGN BY OTHERS

DAMAGE TO APPLIED AIR BARRIER POST INSTALLATION SHOULD BE REPAIRED UTILIZING 323 K-NRG GAP SEAL AND RESAT-MAT IN THREE-COURSE APPLICATION. EXTEND REPAIR A MINIMUM OF 3" OUT IN ALL DIRECTIONS FROM THE DAMAGE AREA.

APPLICATION OF 321 K-NRG SEAL VP AND 323 K-NRG GAP SEAL ACCEPTABLE OVER EXTERIOR GYPSUM SHEATHING, PLYWOOD, OSB, CONCRETE, CONCRETE BLOCK, STONE AND METAL.

SPECIFIC METHODS OF CONNECTION OF AIR AND VAPOR BARRIER TO WINDOW OR DOOR SYSTEM SHOULD BE CONFIRMED WITH WINDOW OR DOOR MANUFACTURER.



**RECESSED WINDOW HEAD**

SCALE: N.T.S.



**KARNAK CORPORATION**  
**THE SEAL OF QUALITY**  
 330 Central Avenue, Clark, NJ. 07066  
 Phone: (732) 388-0300, (800) 526-4236  
 Fax: (732) 388-9422  
 www.karnakcorp.com

The architectural design professional to review all waterproofing documents. The waterproofing procedures are not to be used for permit purposes. These waterproofing procedures are not specifications, complete plans.  
 Contact a design professional prior to performing major waterproofing changes or repairs.

Detail:  
 RECESSED WINDOW HEAD

Job:  
 Date: 7/23/2017  
 Dwn: H.M.K

Drawing Number:  
 K-109

**NOTES:**

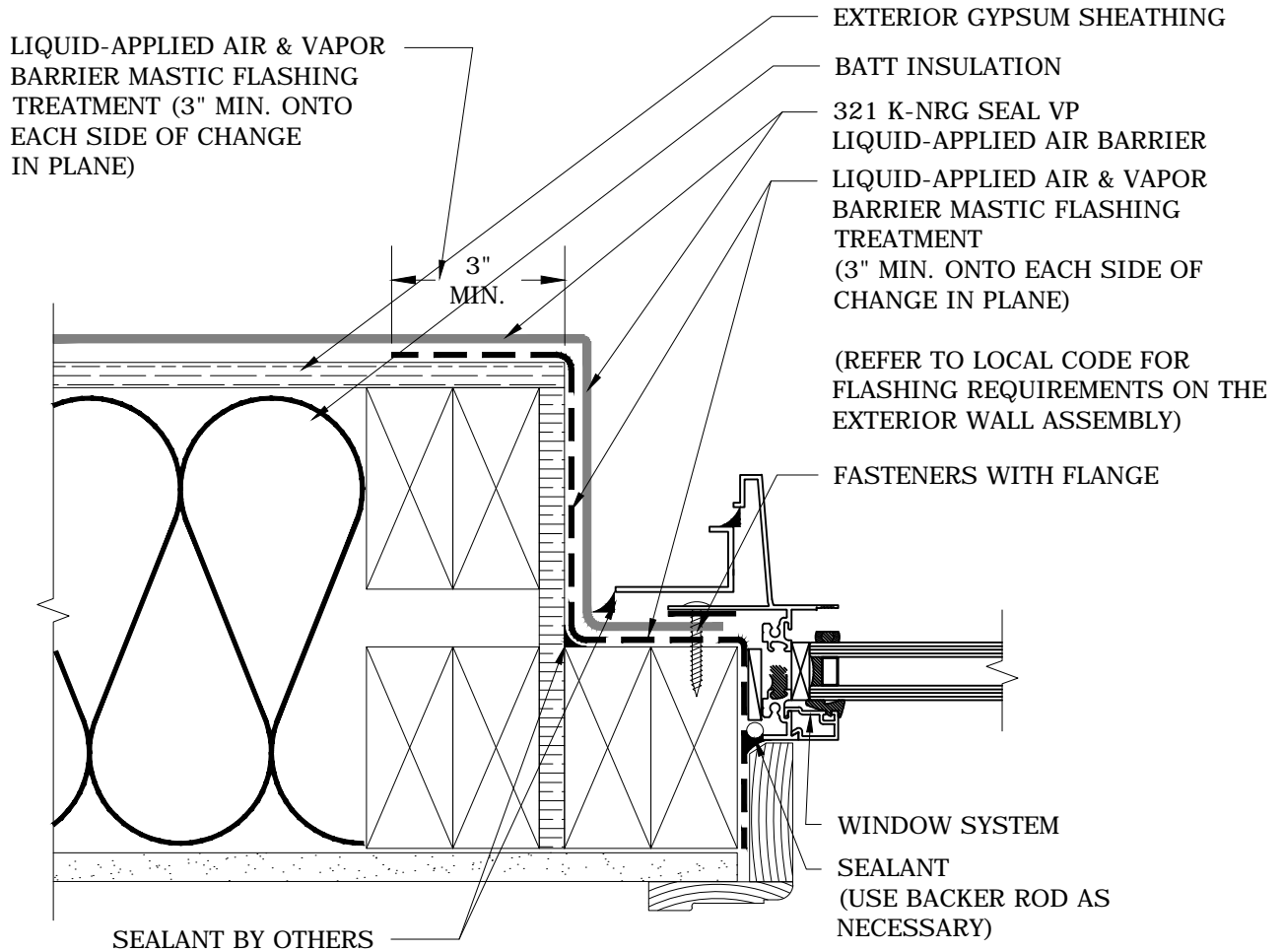
LIQUID APPLIED-AIR & VAPOR BARRIER MASTIC FLASHING TREATMENT CONSIST OF A THREE-COURSE APPLICATION OF 323 K-NRG GAP SEAL FR AND RESAT-MAT.

EXTERIOR FACADE TO BE DESIGN BY OTHERS

DAMAGE TO APPLIED AIR BARRIER POST INSTALLATION SHOULD BE REPAIRED UTILIZING 323 K-NRG GAP SEAL AND RESAT-MAT IN THREE-COURSE APPLICATION. EXTEND REPAIR A MINIMUM OF 3" OUT IN ALL DIRECTIONS FROM THE DAMAGE AREA.

APPLICATION OF 321 K-NRG SEAL VP AND 323 K-NRG GAP SEAL ACCEPTABLE OVER EXTERIOR GYPSUM SHEATHING, PLYWOOD, OSB, CONCRETE, CONCRETE BLOCK, STONE AND METAL.

SPECIFIC METHODS OF CONNECTION OF AIR AND VAPOR BARRIER TO WINDOW OR DOOR SYSTEM SHOULD BE CONFIRMED WITH WINDOW OR DOOR MANUFACTURER.



**RECESSED WINDOW JAMB**

SCALE: N.T.S.



**KARNAK CORPORATION**  
**THE SEAL OF QUALITY**  
 330 Central Avenue, Clark, NJ. 07066  
 Phone: (732) 388-0300, (800) 526-4236  
 Fax: (732) 388-9422  
 www.karnakcorp.com

The architectural design professional to review all waterproofing documents. The waterproofing procedures are not to be used for permit purposes. These waterproofing procedures are not specifications, complete plans.  
 Contact a design professional prior to performing major waterproofing changes or repairs.

Detail:  
 RECESSED WINDOW JAMB

Job:	
Date:	7/23/2017
Dwn:	H.M.K

Drawing Number:  
**K-110**

**NOTES:**

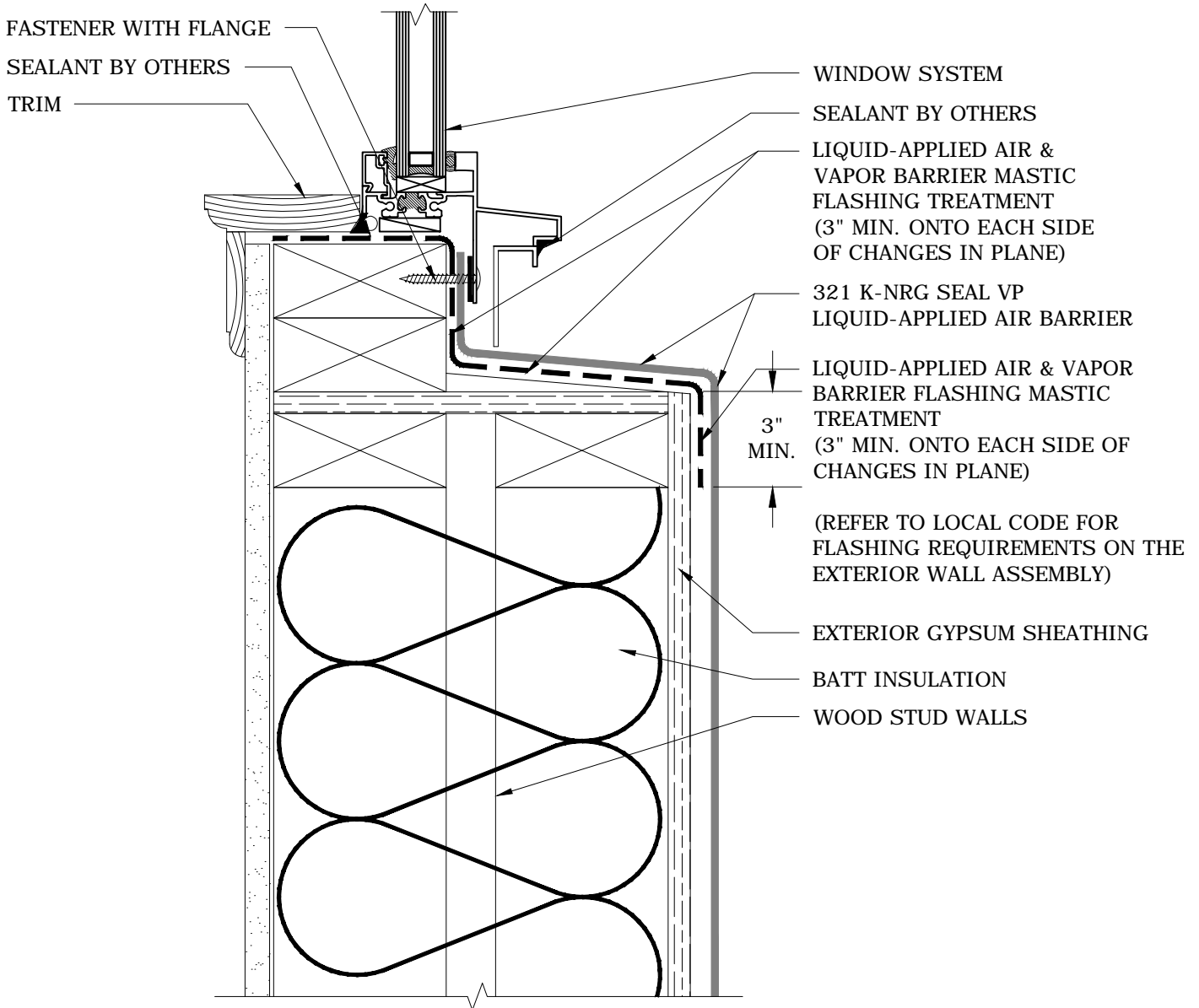
LIQUID APPLIED-AIR & VAPOR BARRIER MASTIC FLASHING TREATMENT CONSIST OF A THREE-COURSE APPLICATION OF 323 K-NRG GAP SEAL FR AND RESAT-MAT.

EXTERIOR FACADE TO BE DESIGN BY OTHERS

DAMAGE TO APPLIED AIR BARRIER POST INSTALLATION SHOULD BE REPAIRED UTILIZING 323 K-NRG GAP SEAL AND RESAT-MAT IN THREE-COURSE APPLICATION. EXTEND REPAIR A MINIMUM OF 3" OUT IN ALL DIRECTIONS FROM THE DAMAGE AREA.

APPLICATION OF 321 K-NRG SEAL VP AND 323 K-NRG GAP SEAL ACCEPTABLE OVER EXTERIOR GYPSUM SHEATHING, PLYWOOD, OSB, CONCRETE, CONCRETE BLOCK, STONE AND METAL.

SPECIFIC METHODS OF CONNECTION OF AIR AND VAPOR BARRIER TO WINDOW OR DOOR SYSTEM SHOULD BE CONFIRMED WITH WINDOW OR DOOR MANUFACTURER.



**RECESSED WINDOW SILL**

SCALE: N.T.S.



**KARNAK CORPORATION**  
**THE SEAL OF QUALITY**  
 330 Central Avenue, Clark, NJ. 07066  
 Phone: (732) 388-0300, (800) 526-4236  
 Fax: (732) 388-9422  
 www.karnakcorp.com

The architectural design professional to review all waterproofing documents. The waterproofing procedures are not to be used for permit purposes. These waterproofing procedures are not specifications, complete plans.  
 Contact a design professional prior to performing major waterproofing changes or repairs.

Detail:  
 RECESSED WINDOW SILL

Job:	
Date:	7/23/2017
Dwn:	H.M.K

Drawing Number:  
**K-111**

**NOTES:**

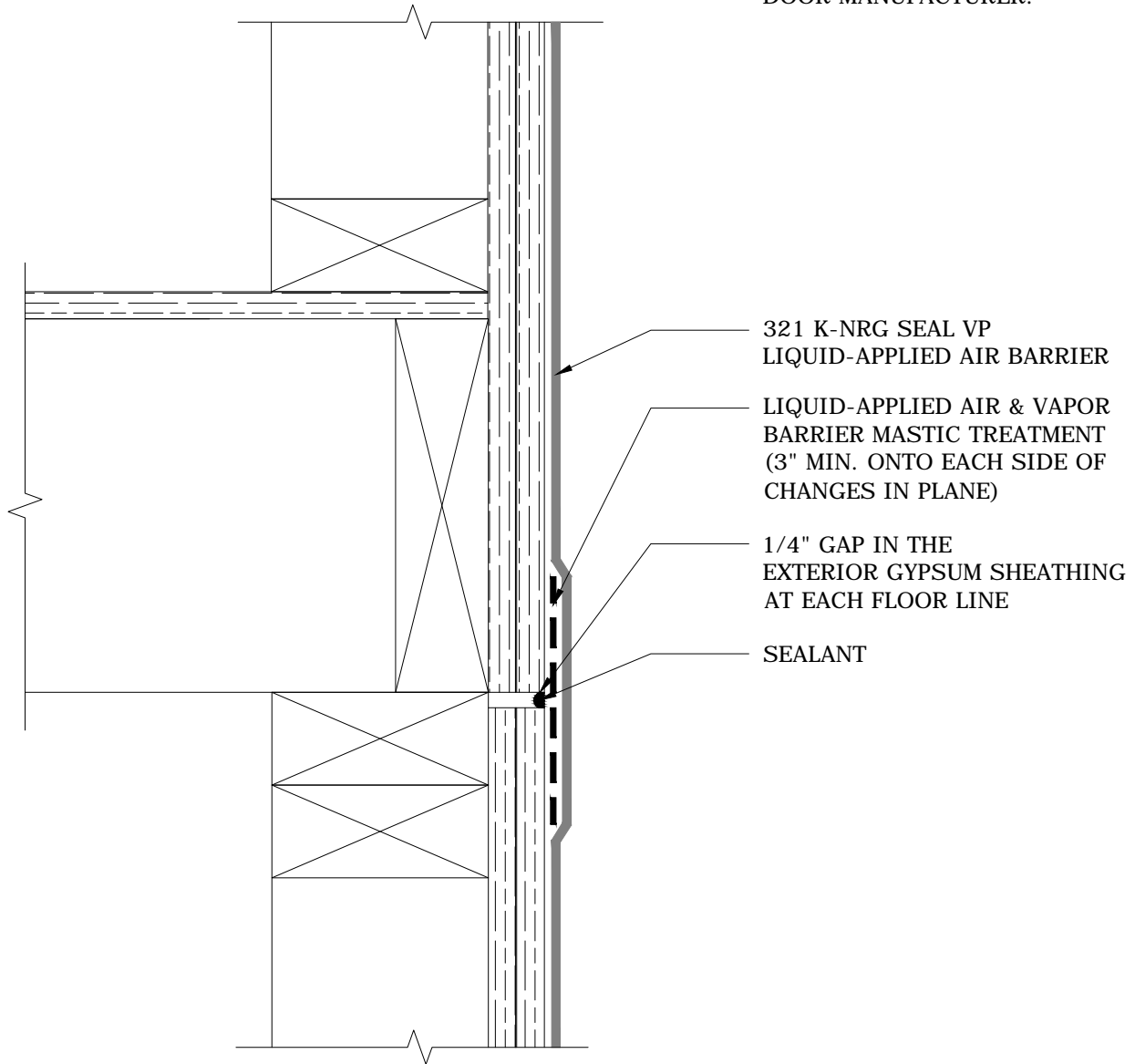
LIQUID APPLIED-AIR & VAPOR BARRIER MASTIC FLASHING TREATMENT CONSIST OF A THREE-COURSE APPLICATION OF 323 K-NRG GAP SEAL FR AND RESAT-MAT.

EXTERIOR FACADE TO BE DESIGN BY OTHERS

DAMAGE TO APPLIED AIR BARRIER POST INSTALLATION SHOULD BE REPAIRED UTILIZING 323 K-NRG GAP SEAL AND RESAT-MAT IN THREE-COURSE APPLICATION. EXTEND REPAIR A MINIMUM OF 3" OUT IN ALL DIRECTIONS FROM THE DAMAGE AREA.

APPLICATION OF 321 K-NRG SEAL VP AND 323 K-NRG GAP SEAL ACCEPTABLE OVER EXTERIOR GYPSUM SHEATHING, PLYWOOD, OSB, CONCRETE, CONCRETE BLOCK, STONE AND METAL.

SPECIFIC METHODS OF CONNECTION OF AIR AND VAPOR BARRIER TO WINDOW OR DOOR SYSTEM SHOULD BE CONFIRMED WITH WINDOW OR DOOR MANUFACTURER.



**INTERSTORY-CONNECTION/DEFLECTION JOINT**

SCALE: N.T.S.



**KARNAK CORPORATION**  
**THE SEAL OF QUALITY**  
 330 Central Avenue, Clark, NJ. 07066  
 Phone: (732) 388-0300, (800) 526-4236  
 Fax: (732) 388-9422  
 www.karnakcorp.com

The architectural design professional to review all waterproofing documents. The waterproofing procedures are not to be used for permit purposes. These waterproofing procedures are not specifications, complete plans.  
 Contact a design professional prior to performing major waterproofing changes or repairs.

Detail:		INTERSTORY-CONNECTION-DEFLECTION JOINT
Job:		
Date:	7/23/2017	Drawing Number: <b>K-112</b>
Dwn:	H.M.K	

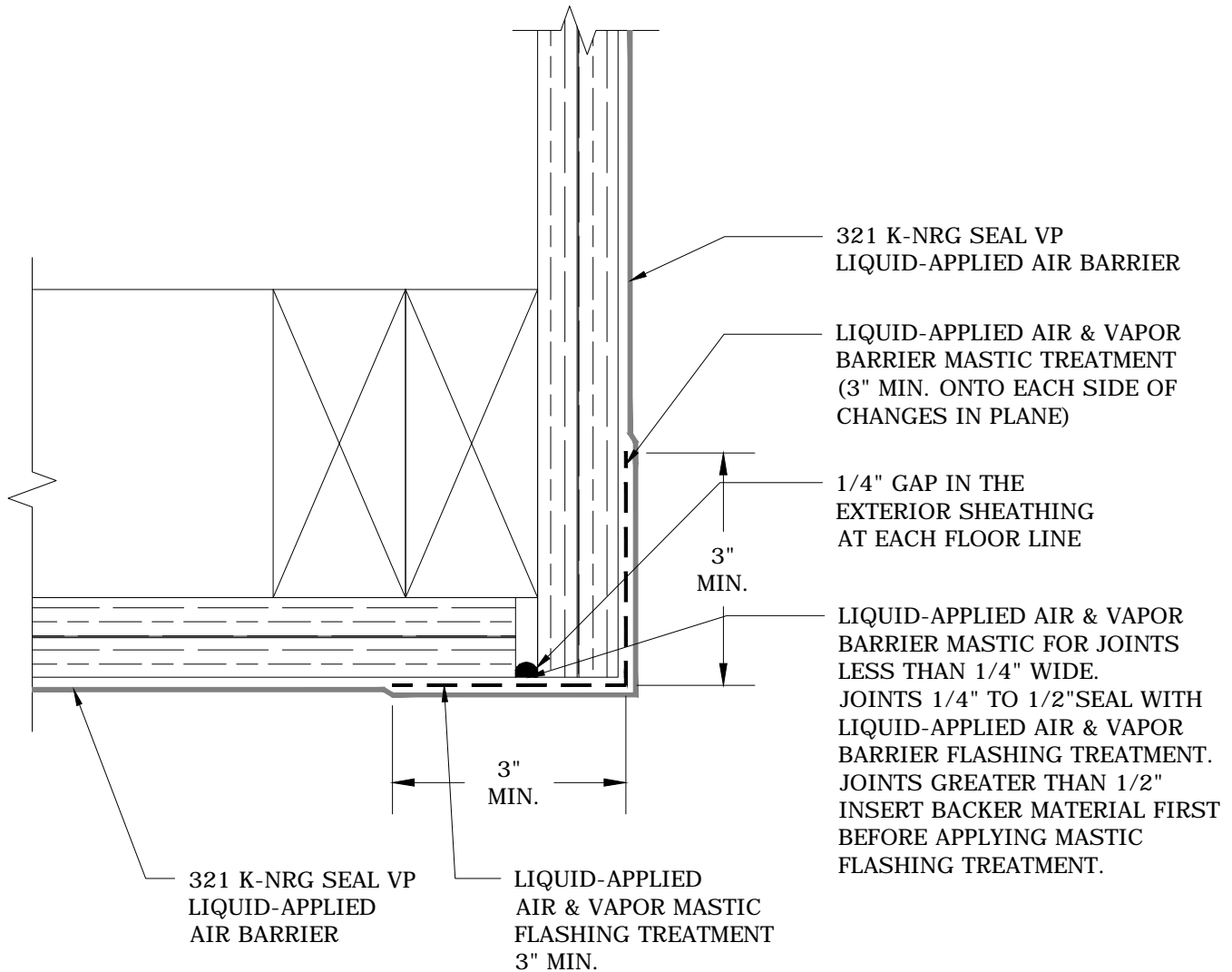
**NOTES:**

LIQUID APPLIED-AIR & VAPOR BARRIER MASTIC FLASHING TREATMENT CONSIST OF A THREE-COURSE APPLICATION OF 323 K-NRG GAP SEAL FR AND RESAT-MAT.

EXTERIOR FACADE TO BE DESIGN BY OTHERS

DAMAGE TO APPLIED AIR BARRIER POST INSTALLATION SHOULD BE REPAIRED UTILIZING 323 K-NRG GAP SEAL AND RESAT-MAT IN THREE-COURSE APPLICATION. EXTEND REPAIR A MINIMUM OF 3" OUT IN ALL DIRECTIONS FROM THE DAMAGE AREA.

APPLICATION OF 321 K-NRG SEAL VP AND 323 K-NRG GAP SEAL ACCEPTABLE OVER EXTERIOR GYPSUM SHEATHING, PLYWOOD, OSB, CONCRETE, CONCRETE BLOCK, STONE AND METAL.



**CHANGE IN PLANE**

SCALE: N.T.S.



**KARNAK CORPORATION**  
**THE SEAL OF QUALITY**  
 330 Central Avenue, Clark, NJ. 07066  
 Phone: (732) 388-0300, (800) 526-4236  
 Fax: (732) 388-9422  
 www.karnakcorp.com

The architectural design professional to review all waterproofing documents. The waterproofing procedures are not to be used for permit purposes. These waterproofing procedures are not specifications, complete plans.  
 Contact a design professional prior to performing major waterproofing changes or repairs.

Detail:  
 CHANGE IN PLANE

Job:	
Date:	7/23/2017
Dwn:	H.M.K

Drawing Number:  
**K-113**